

## REAR DRUM-TO-DISC CONVERSION

# CHEVY SILVERADO / GMC SIERRA

## 12.19" TO 14.00" ROTORS 1988-98



Upgrading the brakes on older trucks makes them safer with improved stopping power. Wilwood's new rear drum-to-disc conversion kit for **1988-98 GM C1500** trucks and SUVs is one of the best upgrades for overall braking performance.

You'll experience more brake clamping force, thermal capacity, improved pedal feel, and confidence from daily street performance to heavy-use applications including towing, hauling, commercial workloads and off-road. Kits include internal parking brake assemblies.

### KITS FEATURE:

- Complete bolt-on installation using Wilwood's decades of experience in performance, off-road, and competitive motorsports
- Compatible with Wilwood front kits, factory ABS systems and OE master cylinder
- Stainless steel pistons are housed in Type-III hard anodized bores with high-temperature seals for durability
- Calipers offered in gloss red or black powder coat, and 24 optional color choices (additional charges apply)

### Dynalite 12.19" Kit: FDLI

- Motorsports-proven forged caliper provides big piston area in a small, lightweight body and fits most 15" and larger wheels
- OE-style **Ultralite HP** one-piece 12.19" x 0.81" vented 32 vane iron alloy rotors in plain face or black E-coated SRP drilled & slotted

### Superlite 12.88" & 14.00" Kits: FNLS4R

- Wilwood's venerable motorsports-proven rigid four piston FNLS4R calipers
- Two-piece aluminum hat/rotor in vented **Spec37** iron alloy, black E-coated in GTB slotted or SRP drilled & slotted
- Two-piece 12.88" x 1.10" with 48 curved vanes for most 17" wheels
- Two-piece 14.00" x 1.10" with 72 curved vanes for most 18" wheels

### Aerolite 14.00" Kit: AERO4

- Wilwood's heavy-duty rigid premium-grade aluminum four piston radial mount AERO4 calipers
- Two-piece aluminum hat/rotor in vented **Spec37** iron alloy, black E-coated in GTB slotted or SRP drilled & slotted
- Two-piece 14.00" x 1.10" with 72 curved vanes for most 18" wheels

### BRAKE PADS: BP-10

- BP-10 street performance pads provide smooth and consistent response with long wear (other compounds available)

### INSTALLATION PARTS:

- Caliper brackets, parking brake cable connection kit, and premium-grade installation hardware included

FDLI  
C1500  
**12.19"**  
OPTIONS  
[140-17541](tel:140-17541)

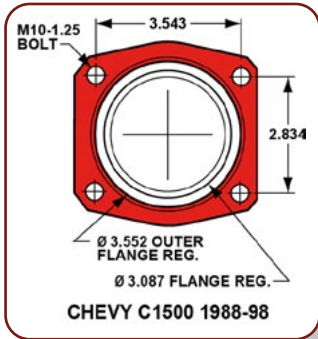
FNLS4R  
C1500  
**12.88"**  
OPTIONS  
[140-17542](tel:140-17542)

FNLS4R  
C1500  
**14.00"**  
OPTIONS  
[140-17543](tel:140-17543)

AERO4  
C1500  
**14.00"**  
OPTIONS  
[140-17673](tel:140-17673)

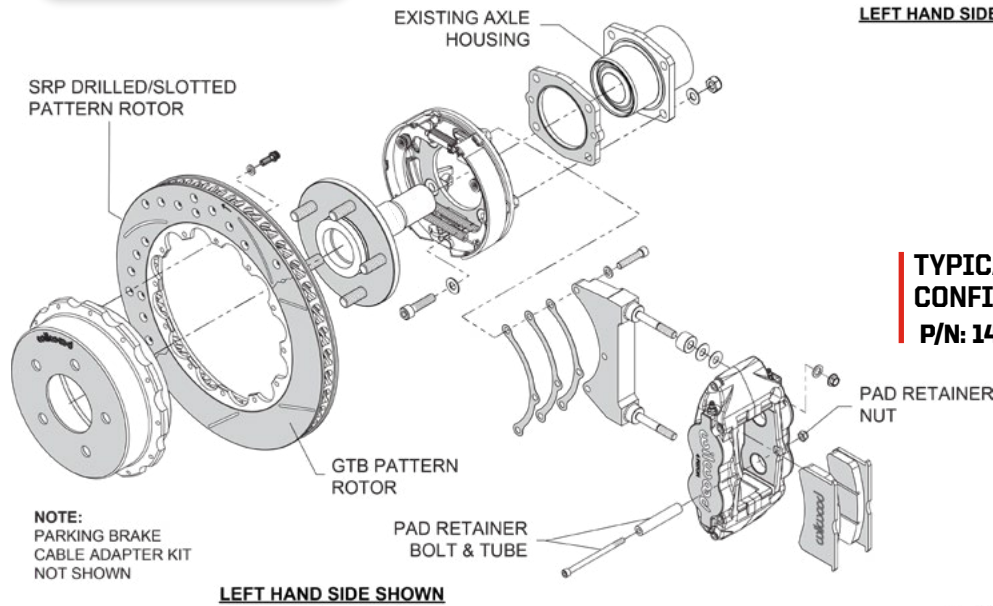
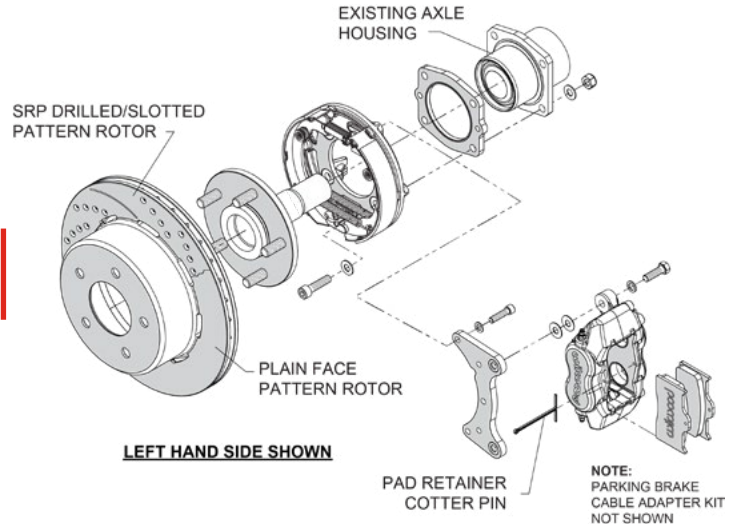


#### Rear Axle Flange



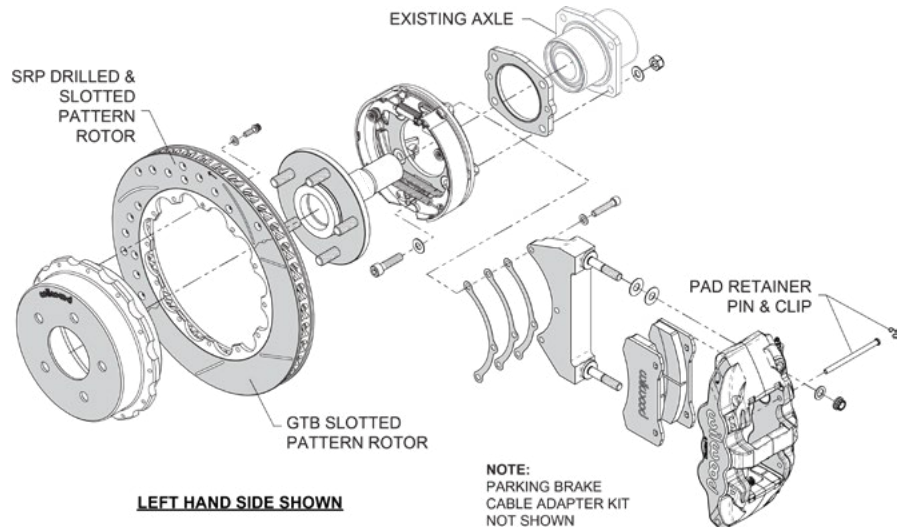
#### TYPICAL INSTALLATION CONFIGURATION

P/N: 140-17541



#### TYPICAL INSTALLATION CONFIGURATION

P/N: 140-17542 / 140-17543



#### TYPICAL INSTALLATION CONFIGURATION

P/N: 140-17673

NOTE: SPECIFIC PARTS MAY VARY FROM DIAGRAM

**WARNING**  
 INSTALLATION OF THIS KIT SHOULD **ONLY** BE PERFORMED BY PERSONS EXPERIENCED IN THE INSTALLATION AND PROPER OPERATION OF DISC BRAKE SYSTEMS.



**GM C1500 SILVERADO/SIERRA**

1988-1998

REAR DRUM-TO-DISC CONVERSION

**REAR DRUM TO DISC CONVERSION**

**CHEVY SILVERADO / GMC SIERRA**

**12.19" TO 14.00" ROTORS 1988-98**



BRAKE KITS ORDERING INFO: PH: 805.388.1188 • FAX: 805.388.4938 • [wilwood.com](http://wilwood.com) • [info@wilwood.com](mailto:info@wilwood.com)

BLACK	DESCRIPTION	CALIPER TYPE	CALIPER FINISH	ROTOR SIZE	ROTOR TYPE
<a href="#">140-17541</a>	Kit, FDLI, 4 Piston Rear, HP 32 Vane Vented Rotor	Forged Dynalite	Black Powder Coat	12.19" x 0.81"	Plain Face
<a href="#">140-17541-R</a>	Kit, FDLI, 4 Piston Rear, HP 32 Vane Vented Rotor	Forged Dynalite	Red Powder Coat	12.19" x 0.81"	Plain Face
<a href="#">140-17541-D</a>	Kit, FDLI, 4 Piston Rear, HP 32 Vane Vented Rotor	Forged Dynalite	Black Powder Coat	12.19" x 0.81"	SRP Drilled & Slotted
<a href="#">140-17541-DR</a>	Kit, FDLI, 4 Piston Rear, HP 32 Vane Vented Rotor	Forged Dynalite	Red Powder Coat	12.19" x 0.81"	SRP Drilled & Slotted
<a href="#">140-17542</a>	Kit, Superlite 4R, Four Piston Rear, 48 Curved Vane Vented Spec37 Rotor	Superlite 4R	Black Powder Coat	12.88" x 1.10"	GTB Slotted
<a href="#">140-17542-R</a>	Kit, Superlite 4R, Four Piston Rear, 48 Curved Vane Vented Spec37 Rotor	Superlite 4R	Red Powder Coat	12.88" x 1.10"	GTB Slotted
<a href="#">140-17542-D</a>	Kit, Superlite 4R, Four Piston Rear, 48 Curved Vane Vented Spec37 Rotor	Superlite 4R	Black Powder Coat	12.88" x 1.10"	SRP Drilled & Slotted
<a href="#">140-17542-DR</a>	Kit, Superlite 4R, Four Piston Rear, 48 Curved Vane Vented Spec37 Rotor	Superlite 4R	Red Powder Coat	12.88" x 1.10"	SRP Drilled & Slotted
<a href="#">140-17543</a>	Kit, Superlite 4R, Four Piston Rear, 72 Curved Vane Vented Spec37 Rotor	Superlite 4R	Black Powder Coat	14.00" x 1.10"	GTB Slotted
<a href="#">140-17543-R</a>	Kit, Superlite 4R, Four Piston Rear, 72 Curved Vane Vented Spec37 Rotor	Superlite 4R	Red Powder Coat	14.00" x 1.10"	GTB Slotted
<a href="#">140-17543-D</a>	Kit, Superlite 4R, Four Piston Rear, 72 Curved Vane Vented Spec37 Rotor	Superlite 4R	Black Powder Coat	14.00" x 1.10"	SRP Drilled & Slotted
<a href="#">140-17543-DR</a>	Kit, Superlite 4R, Four Piston Rear, 72 Curved Vane Vented Spec37 Rotor	Superlite 4R	Red Powder Coat	14.00" x 1.10"	SRP Drilled & Slotted
<a href="#">140-17673</a>	Kit, AERO4, Four Piston Rear, 72 Curved Vane Vented <b>Spec37</b> Rotor	Aerolite 4	Black Powder Coat	14.00" x 1.10"	GTB Slotted
<a href="#">140-17673-R</a>	Kit, AERO4, Four Piston Rear, 72 Curved Vane Vented <b>Spec37</b> Rotor	Aerolite 4	Red Powder Coat	14.00" x 1.10"	GTB Slotted
<a href="#">140-17673-D</a>	Kit, AERO4, Four Piston Rear, 72 Curved Vane Vented <b>Spec37</b> Rotor	Aerolite 4	Black Powder Coat	14.00" x 1.10"	SRP Drilled & Slotted
<a href="#">140-17673-DR</a>	Kit, AERO4, Four Piston Rear, 72 Curved Vane Vented <b>Spec37</b> Rotor	Aerolite 4	Red Powder Coat	14.00" x 1.10"	SRP Drilled & Slotted