

Aero6-DM “Direct-Mount” Brake Kits

- ✓ 2019-22 **Ford Ranger**
- ✓ 2021-22 **Ford Bronco**

Wilwood’s **Aero6-DM** direct-mounted caliper brake kits are designed to fit 2019-22 Ford Ranger trucks and 2021-22 Bronco SUVs using 17” or larger wheels. Upgrade the OE cast-iron, sliding two piston calipers and stock rotors to Wilwood’s direct-mount, net-forged six piston calipers and premium iron alloy one-piece rotors to improve braking performance and pedal feel.

Designed and engineered to fit under most factory and aftermarket wheels 17” and larger, providing better thermal capability for high-demand driving, including towing, commercial, spirited driving, and off-road use.

KIT FEATURES:

- Directly mounts to factory spindles and hubs with no modifications or additional brackets
- Provides greater brake torque and increased thermal stability, yet fits behind most 17” and larger wheels

CALIPERS: AERO6-DM

- Stress-flow forged aluminum Aerolite calipers are engineered for direct-mounting with six differential bore pistons for more even clamping force, and closed bridge for minimal deflection
- Compatible with the factory master cylinder, ABS and all electronic controls
- Calipers available in gloss black or red powder coat, or 22 additional color options (additional charges apply)

ROTORS: GT or SRP

- 13.38” x 1.25” premium-grade, long-grain carbon iron alloy vented rotors
- Choose GT slotted, or SRP drilled and slotted rotors

BRAKE PADS: SmartPad® BP-Q

- New “Q” ceramic-based, dual-sport SmartPad for everyday street or performance driving (additional compounds available)

INSTALLATION PARTS:

- Stainless steel Flexlines and premium-grade hardware included



**Aero6-DM Six Piston Brake Kit
13.38” SRP Drilled & Slotted Rotor**

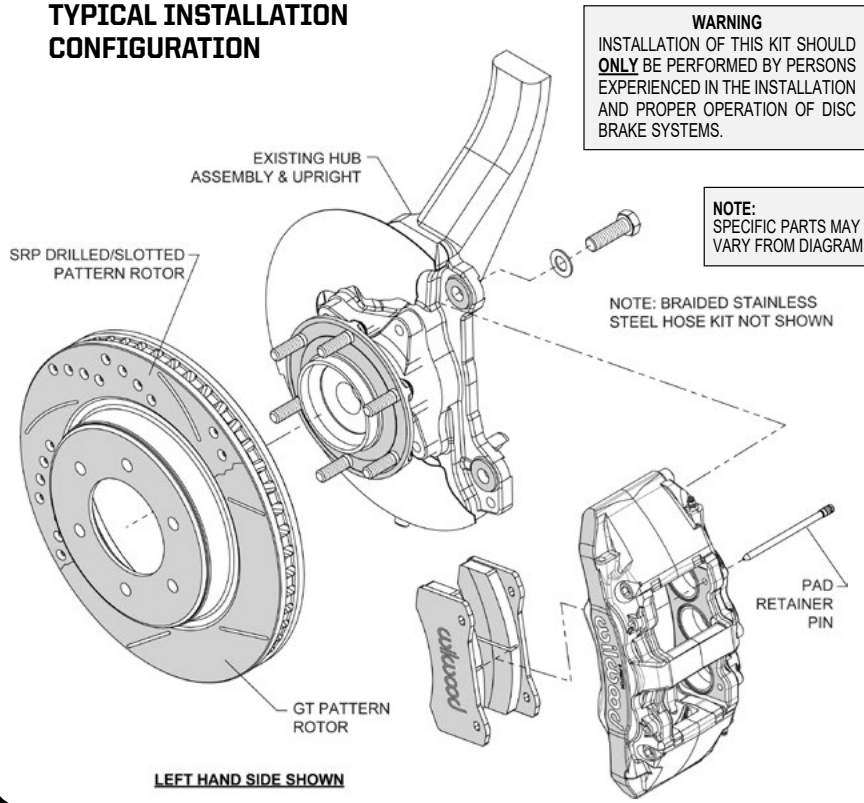


**Aero6-DM Six Piston Brake Kit
13.38” GT Slotted Rotor**

Aero6-DM "Direct-Mount" Brake Kits

✓ 2019-22 **Ford Ranger** ✓ 2021-22 **Ford Bronco**

TYPICAL INSTALLATION CONFIGURATION



GT Slotted Rotors



SRP Drilled & Slotted Rotors



Braided Stainless Steel Flexline Kits Included for Y/M/M (parts may vary)

ORDERING INFO: PH: 805.388.1188 • FAX: 805.388.4938 • wilwood.com • info@wilwood.com

BLACK	RED	DESCRIPTION	CALIPER TYPE	ROTOR TYPE	ROTOR SIZE
140-17512	140-17512-R	Kit, Front Aero6-DM, Ford Bronco '21-22	Aerolite 6 Piston Direct-Mount	GT Slotted	13.38" x 1.25"
140-17512-D	140-17512-DR	Kit, Front Aero6-DM, Ford Bronco '21-22	Aerolite 6 Piston Direct-Mount	SRP Drilled & Slotted	13.38" x 1.25"
140-17557	140-17557-R	Kit, Front Aero6-DM, Ford Ranger '19-22	Aerolite 6 Piston Direct-Mount	GT Slotted	13.38" x 1.25"
140-17557-D	140-17557-DR	Kit, Front Aero6-DM, Ford Ranger '19-22	Aerolite 6 Piston Direct-Mount	SRP Drilled & Slotted	13.38" x 1.25"