



Compact Master Cylinder Kit with Lightweight Finned Billet Aluminum Reservoir

Wilwood's Compact Remote Master Cylinder is a staple of motorsports and custom builds. These kits come complete with a billet aluminum reservoir for direct mounting to the body. The finned shape of the reservoir removes weight and increases surface area for passive cooling.

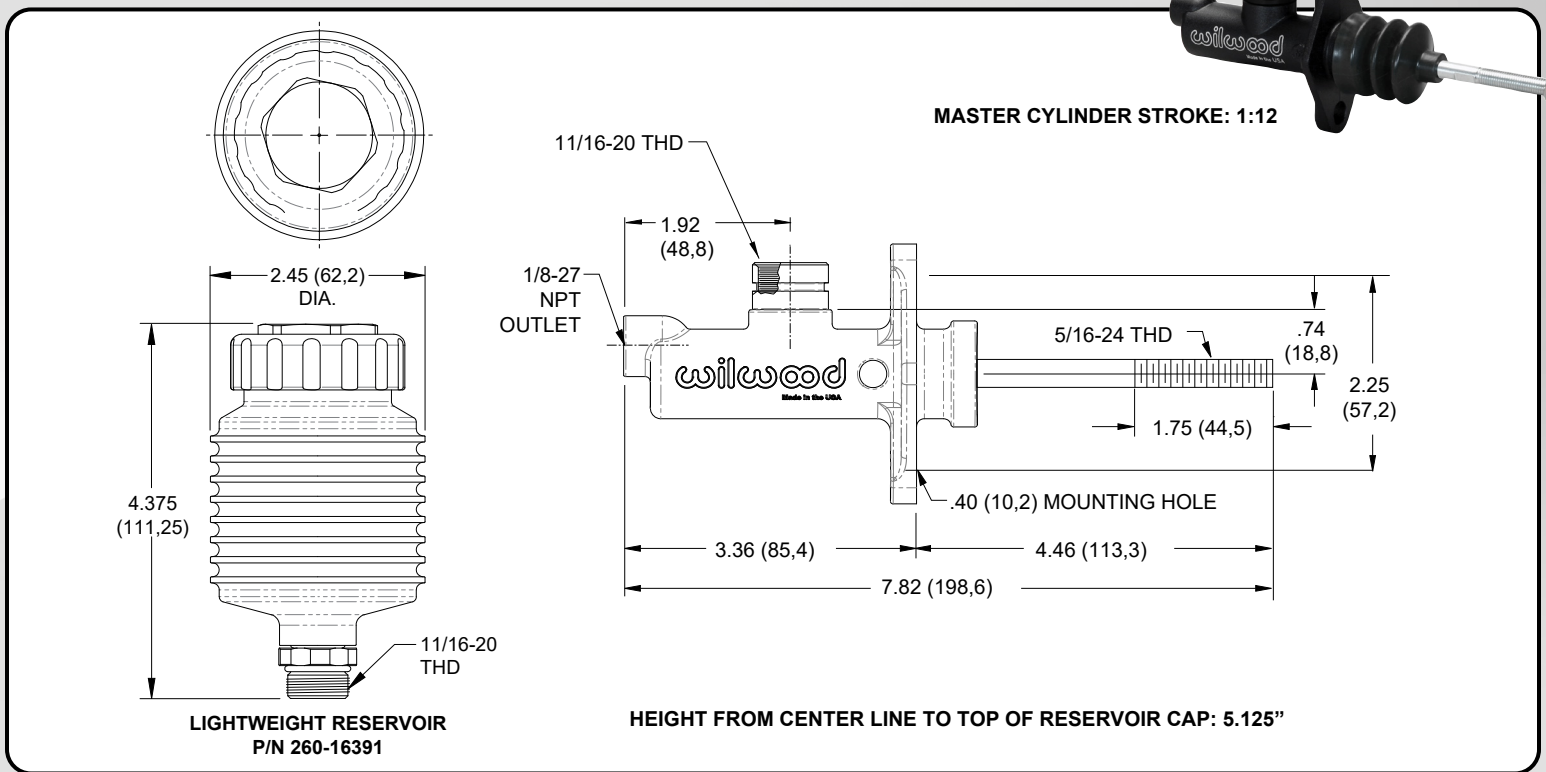


Six bore sizes available to tune pedal effort and front-to-rear brake bias

FEATURES:

- The Wilwood compact master cylinder has been proven in millions of laps on thousands of cars at all levels of motorsports
- Full 1.12" stroke in an ultra-short 3.36" compact body for installation where space is limited
- Weighs less than 1-pound, ready to install
- Master cylinder bore available in six sizes, from .75" to 1.12"
- Large reservoir holds four fluid ounces
- Master cylinders are fully rebuildable
- Standard 2.25" on center two bolt vertical mounting flange
- Long lasting black E-coat finished master cylinder body
- Type III hard anodized finish billet reservoir

Compact Master Cylinder Kit with Lightweight Finned Billet Aluminum Reservoirs



ORDERING INFO: PH: 805.388.1188 • FAX: 805.388.4938 • wilwood.com • info@wilwood.com

PART NUMBER	DESCRIPTION	OUTLET	BORE SIZE
261-16838-.75	Compact Remote MC with Direct Mount Lightweight Hard Anodized Billet Aluminum Reservoir	1/8-27	.75-inch
261-17277-.81	Compact Remote MC with Direct Mount Lightweight Hard Anodized Billet Aluminum Reservoir	1/8-27	.81-inch
261-16839-.88	Compact Remote MC with Direct Mount Lightweight Hard Anodized Billet Aluminum Reservoir	1/8-27	.88-inch
261-17278-.94	Compact Remote MC with Direct Mount Lightweight Hard Anodized Billet Aluminum Reservoir	1/8-27	.94-inch
261-16840-1.00	Compact Remote MC with Direct Mount Lightweight Hard Anodized Billet Aluminum Reservoir	1/8-27	1.00-inch
261-16841-1.12	Compact Remote MC with Direct Mount Lightweight Hard Anodized Billet Aluminum Reservoir	1/8-27	1.12-inch