

Upgrade **1955-57 Chevy** with 21st-Century Braking & Handling

Precision-engineered 2" drop **ProSpindle** for 1955-57 Chevy Bel Air, Nomad, 210, and other full-size models make installing Wilwood brakes easy. The steel **ProSpindle** is lighter and stronger than factory cast iron while lowering the car for a better look and improved handling.

Wilwood **ProSpindles** are designed to provide a reinforced attachment for a variety of Wilwood disc brake kits. Options include high-performance aluminum four or six piston calipers and rotors ranging from 11.50" to 14.00" in diameter. The **ProSpindles** use OE ball joints and steering arms, lowering the car with no change to suspension or steering geometry.



PN: 831-16660



AEROLITE



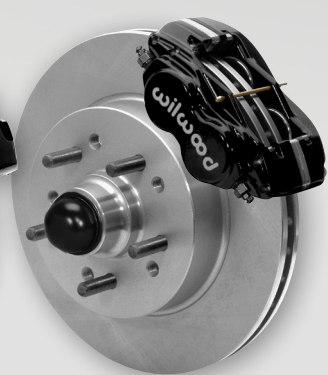
SUPERLITE



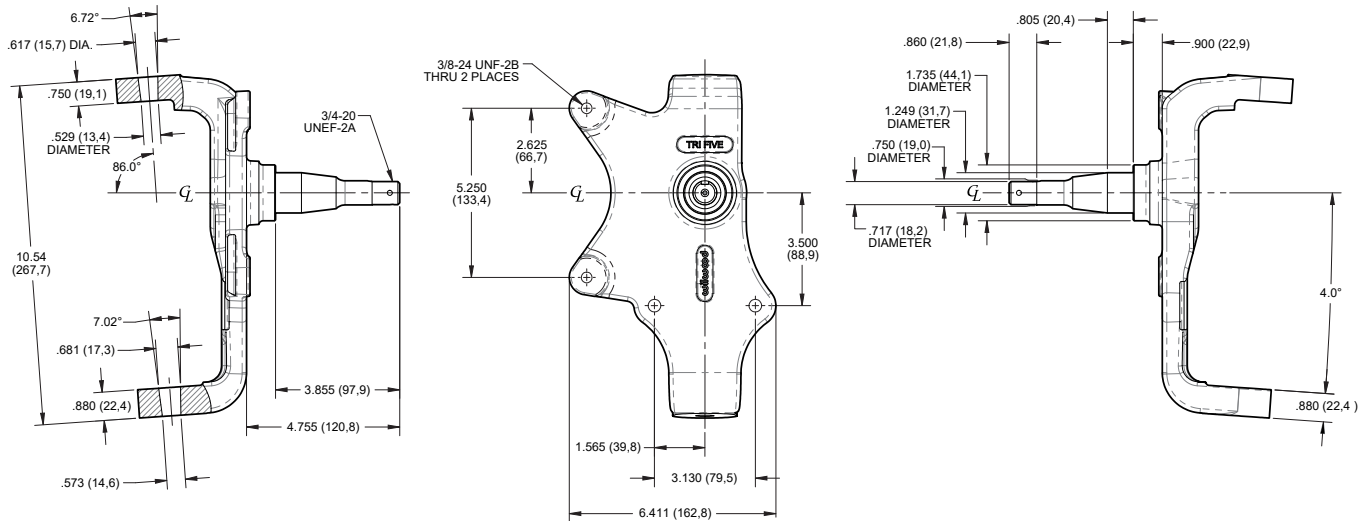
DYNAPRO



DYNALITE



TRI-FIVE CHEVY 2" DROP PROSPINDLE DIAGRAM



Wilwood's Tri-Five ProSpindle Kits contain a pair of spindles with rigid caliper mounting tabs, engineered to simplify upgrades by directly mounting Wilwood performance disc brake kits. Stronger than the OEM cast iron, ProSpindles improve the handling and braking of 1955-57 Chevy full-sized cars. The 2" drop lowers the center of gravity for less body roll and improved looks without affecting suspension travel or geometry. Installs using OE ball joints and steering arms with original or aftermarket control arms.

ORDERING INFORMATION: PH: 805.388.1188 • FAX: 805.388.4938 • wilwood.com • info@wilwood.com

PART NUMBER	DESCRIPTION	ROTOR SIZE	ROTOR TYPE	COLOR
831-16660	Chevy Tri-Five ProSpindles, 2" Drop			
140-16906	Dynalite 4 Classic Kit, 5 x 4.75" Hub	11.50" x 1.00" Hub/Rotor	Plain Face	Black
140-16906-R	Dynalite 4 Classic Kit, 5 x 4.75" Hub	11.50" x 1.00" Hub/Rotor	Plain Face	Red
140-16907	Dynapro 4 Kit, 5 x 4.50"/4.75" Hub	12.19" x 0.81" 32 Vane Rotor	Plain Face	Black
140-16907-D	Dynapro 4 Kit, 5 x 4.50"/4.75" Hub	12.19" x 0.81" 32 Vane Rotor	SRP Drilled/Slotted	Black
140-16907-DR	Dynapro 4 Kit, 5 x 4.50"/4.75" Hub	12.19" x 0.81" 32 Vane Rotor	SRP Drilled/Slotted	Red
140-16907-R	Dynapro 4 Kit, 5 x 4.50"/4.75" Hub	12.19" x 0.81" 32 Vane Rotor	Plain Face	Red
140-16908	Superlite 6R Kit, 5 x 4.50"/4.75" Hub	12.88" x 1.10" 48 Vane Rotor	GT Slotted	Black
140-16908-D	Superlite 6R Kit, 5 x 4.50"/4.75" Hub	12.88" x 1.10" 48 Vane Rotor	SRP Drilled/Slotted	Black
140-16908-DR	Superlite 6R Kit, 5 x 4.50"/4.75" Hub	12.88" x 1.10" 48 Vane Rotor	SRP Drilled/Slotted	Red
140-16908-R	Superlite 6R Kit, 5 x 4.50"/4.75" Hub	12.88" x 1.10" 48 Vane Rotor	GT Slotted	Red
140-16909	Superlite 6R Kit, 5 x 4.50"/4.75" Hub	14.00" x 1.10" 72 Vane Rotor	GT Slotted	Black
140-16909-D	Superlite 6R Kit, 5 x 4.50"/4.75" Hub	14.00" x 1.10" 72 Vane Rotor	SRP Drilled/Slotted	Black
140-16909-DR	Superlite 6R Kit, 5 x 4.50"/4.75" Hub	14.00" x 1.10" 72 Vane Rotor	SRP Drilled/Slotted	Red
140-16909-R	Superlite 6R Kit, 5 x 4.50"/4.75" Hub	14.00" x 1.10" 72 Vane Rotor	GT Slotted	Red
140-16910	Aerolite 6R Kit, 5 x 4.50"/4.75" Hub	14.00" x 1.25" 72 Vane Rotor	GT Slotted	Black
140-16910-D	Aerolite 6R Kit, 5 x 4.50"/4.75" Hub	14.00" x 1.25" 72 Vane Rotor	SRP Drilled/Slotted	Black
140-16910-DR	Aerolite 6R Kit, 5 x 4.50"/4.75" Hub	14.00" x 1.25" 72 Vane Rotor	SRP Drilled/Slotted	Red
140-16910-R	Aerolite 6R Kit, 5 x 4.50"/4.75" Hub	14.00" x 1.25" 72 Vane Rotor	GT Slotted	Red