

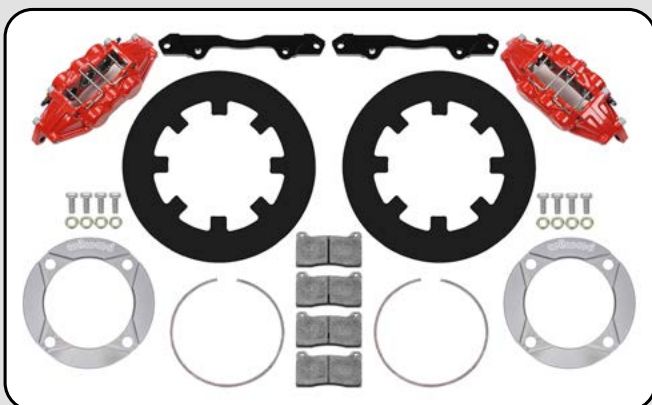
Big Brake Kits **2014-23** **Polaris RZR XP 1000 UTVs**

Wilwood is excited to bring premium performance brake kits to the Polaris RZR XP 1000 platform. An entirely new caliper and rotor design engineered and manufactured in the US. Front and rear matched kits employ fixed-mount **UTV6** six piston calipers and larger dynamically-mounted steel floating rotors to reduce piston knockback and improve thermal capacity.

Our UTV kits utilize the same engineering and manufacturing technology Wilwood uses on brakes for race cars, trucks, and armored military vehicles, scaled down appropriately to improve performance on side-by-side rigs.

KIT FEATURES:

- 20% larger dynamically mounted 11.25" x 0.25" steel rotors eliminate knockback and reduce thermal distortion; available plain face or drilled
- Rigid, stress-flow net forged aluminum, **UTV6** opposed piston calipers with strengthened body reduces deflection and increases clamping efficiency
- Differential bore caliper pistons increase pad life and maintain proper front/rear bias
- Calipers offered in gloss red and black powder coat, or 22 additional caliper color options (additional charges may apply)
- Standard kits come complete with fade-resistant **BP-10** brake pads, banjo bolt and crush washers to connect to factory lines
- Race-spec kits use Type III hard anodized calipers and more aggressive, fade-free **PolyMatrix E** brake pads
- Fully compatible with factory master cylinder, ABS, and pedals
- Kits fit most wheels 15" and larger



wilwood

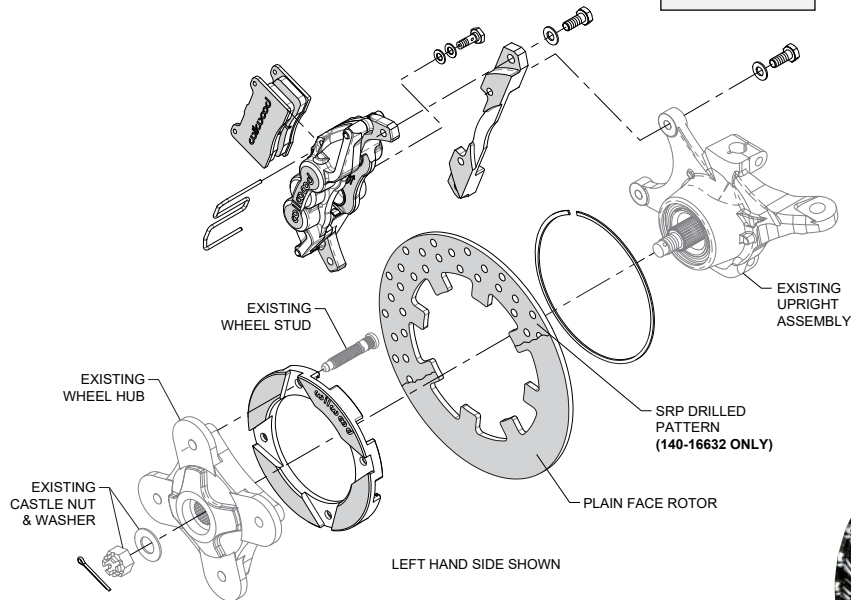
POLARIS RZR XP 1000

2014-2023

BIG BRAKE KITS

TYPICAL INSTALLATION CONFIGURATION

NOTE:
SPECIFIC PARTS
MAY VARY FROM
DIAGRAM



FRONT PLAIN

REAR PLAIN



FRONT DRILLED

REAR DRILLED



FRONT RACE

REAR RACE

ORDERING INFO: PH: 805.388.1188 • FAX: 805.388.4938 • wilwood.com • info@wilwood.com

BLACK	RED	DESCRIPTION	CALIPER TYPE	ROTOR TYPE	ROTOR SIZE
140-16632	140-16632-R	Kit, Front UTV6, Polaris RZR XP1000, XP 4 1000, 2014-23	UTV 6 Piston	Plain Face Steel	11.25" x 0.25"
140-16632-D	140-16632-DR	Kit, Front UTV6, Polaris RZR XP1000, XP 4 1000, 2014-23	UTV 6 Piston	Drilled Steel	11.25" x 0.25"
140-16633	140-16633-R	Kit, Rear UTV6, Polaris RZR XP1000, XP 4 1000, 2014-23	UTV 6 Piston	Plain Face Steel	11.25" x 0.25"
140-16633-D	140-16633-DR	Kit, Rear UTV6, Polaris RZR XP1000, XP 4 1000, 2014-23	UTV 6 Piston	Drilled Steel	11.25" x 0.25"
HARD ANODIZED		RACE SPEC			
140-17044		Kit, Front UTV6, Polaris RZR XP1000, XP 4 1000, 2014-23, Race Pads	Race UTV 6 Piston	Plain Face Steel	11.25" x 0.25"
140-17045		Kit, Rear UTV6, Polaris RZR XP1000, XP 4 1000, 2014-23, Race Pads	Race UTV 6 Piston	Plain Face Steel	11.25" x 0.25"