

wilwood *DISC BRAKES*

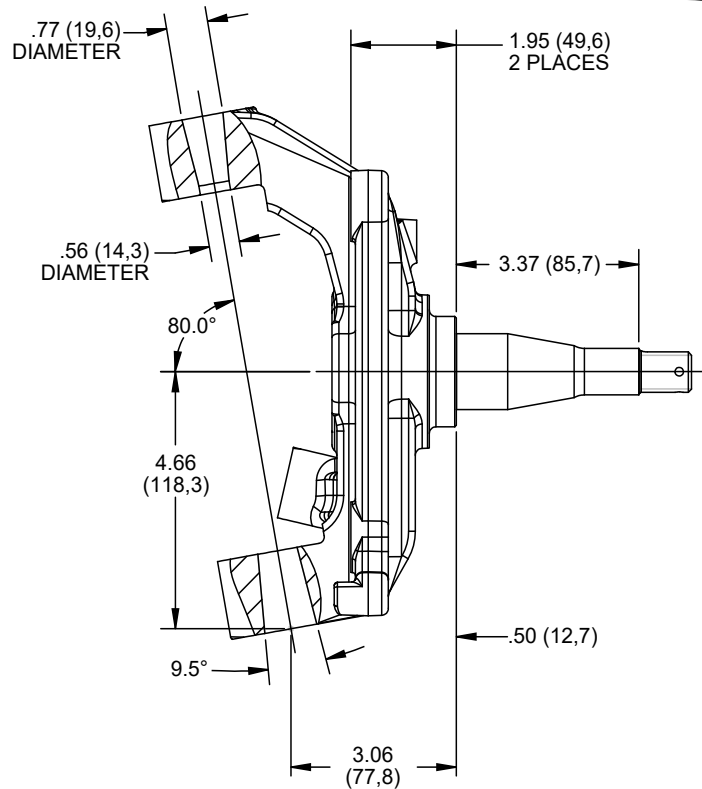
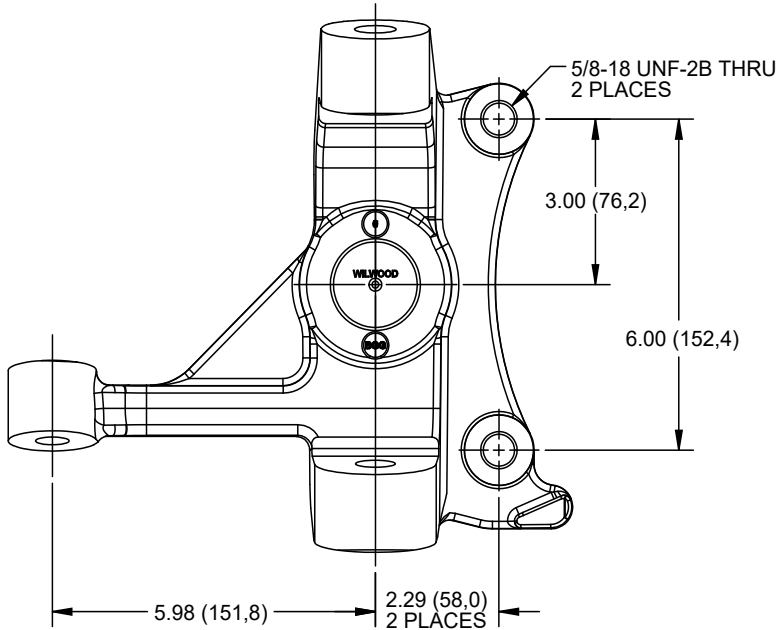
CHEVY / GMC C1500 TRUCKS

1988 - 1998

**2" DROP PROSPINDLE AND
FRONT BRAKE KITS**

- Direct-fit on all 1988-1998 Chevy and GMC C1500 model, 2-wheel drive trucks
- 2.00" drop improves handling and provides an aggressive stance while maintaining the OE track width and correct steering geometry
- Use with OE suspension or custom fabricated direct-replacement parts
- High-strength all steel design with integral brake caliper mounts and steering arms deliver deflection-free performance
- Radial mount caliper brackets attach to the integrally cast bosses for secure mounting
- Brake kit options feature forged aluminum hubs





ORDERING INFORMATION: 1988-1998 Chevy C1500 2" Drop Iron ProSpindles

PART NUMBER	DESCRIPTION
831-15933	ProSpindle, 2" Drop, 1988-1998, pair

ORDERING INFORMATION: Front Brake Kits, Chevy C1500 2" Drop ProSpindles, 5 Lug - 4.75"/5.00"

PART NUMBER	DESCRIPTION	CALIPER FINISH
140-15948	Superlite 6R Calipers, 12.19" x 1.10" Plain Face Rotors	Black Powder Coat
140-15948-D	Superlite 6R Calipers, 12.19" x 1.10" SRP Drilled & Slotted Rotors	Black Powder Coat
140-15948-DR	Superlite 6R Calipers, 12.19" x 1.10" SRP Drilled & Slotted Rotors	Red Powder Coat
140-15948-R	Superlite 6R Calipers, 12.19" x 1.10" Plain Face Rotors	Red Powder Coat
140-15949	Superlite 6R Calipers, 13.06" x 1.25" Spec37 GT 48 Curved Vane Slotted Rotors	Black Powder Coat
140-15949-D	Superlite 6R Calipers, 13.06" x 1.25" Spec37 SRP 48 Curved Vane Drilled & Slotted Rotors	Black Powder Coat
140-15949-DR	Superlite 6R Calipers, 13.06" x 1.25" Spec37 SRP 48 Curved Vane Drilled & Slotted Rotors	Red Powder Coat
140-15949-R	Superlite 6R Calipers, 13.06" x 1.25" Spec37 GT 48 Curved Vane Slotted Rotors	Red Powder Coat
140-15950	Superlite 6R Calipers, 14.00" x 1.25" Spec37 GT 72 Curved Vane Slotted Rotors	Black Powder Coat
140-15950-D	Superlite 6R Calipers, 14.00" x 1.25" Spec37 SRP 72 Curved Vane Drilled & Slotted Rotors	Black Powder Coat
140-15950-DR	Superlite 6R Calipers, 14.00" x 1.25" Spec37 SRP 72 Curved Vane Drilled & Slotted Rotors	Red Powder Coat
140-15950-R	Superlite 6R Calipers, 14.00" x 1.25" Spec37 GT 72 Curved Vane Slotted Rotors	Red Powder Coat
140-15951	Aerolite 6R Calipers, 14.00" x 1.25" Spec37 GT 72 Curved Vane Slotted Rotors	Black Powder Coat
140-15951-D	Aerolite 6R Calipers, 14.00" x 1.25" Spec37 SRP 72 Curved Vane Drilled & Slotted Rotors	Black Powder Coat
140-15951-DR	Aerolite 6R Calipers, 14.00" x 1.25" Spec37 SRP 72 Curved Vane Drilled & Slotted Rotors	Red Powder Coat
140-15951-R	Aerolite 6R Calipers, 14.00" x 1.25" Spec37 GT 72 Curved Vane Slotted Rotors	Red Powder Coat
		Continued ...

wilwood DISC BRAKES

CHEVY / GMC C1500 TRUCKS

1988 - 1998

2" DROP PROSPINDLE AND FRONT BRAKE KITS

Superlite 6R



Compatible
with original
equipment
ABS



 **24 COLOR
OPTIONS
AVAILABLE**

Aerolite 6R

