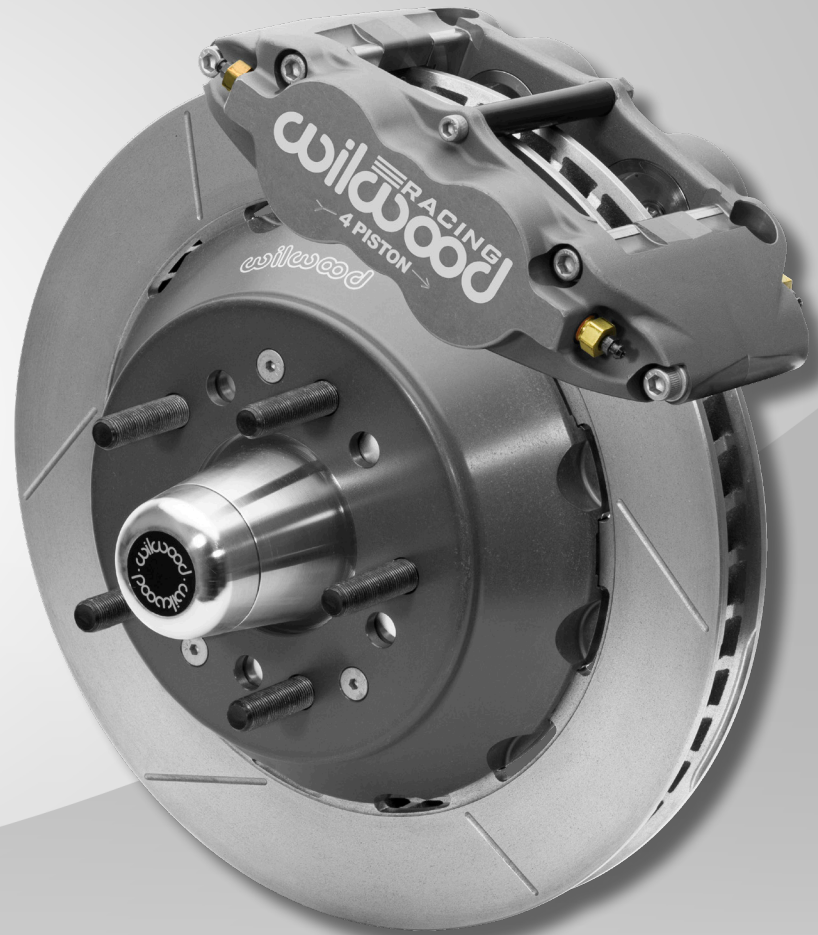
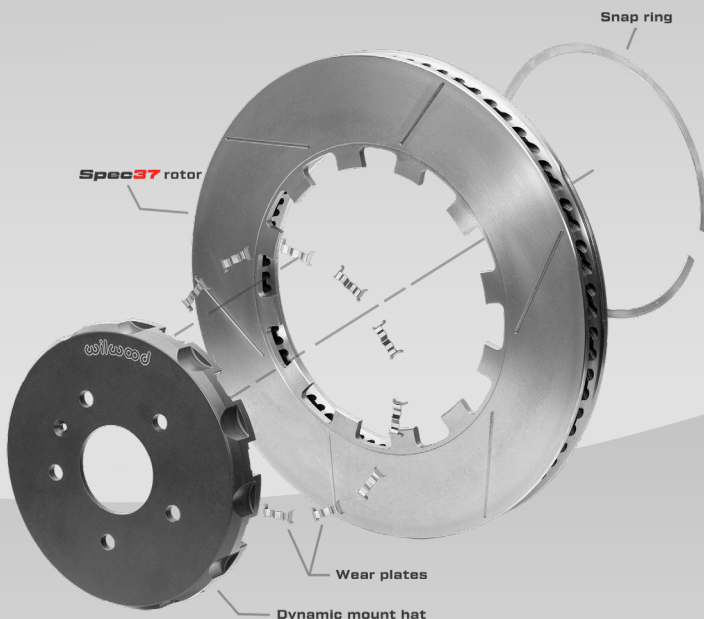


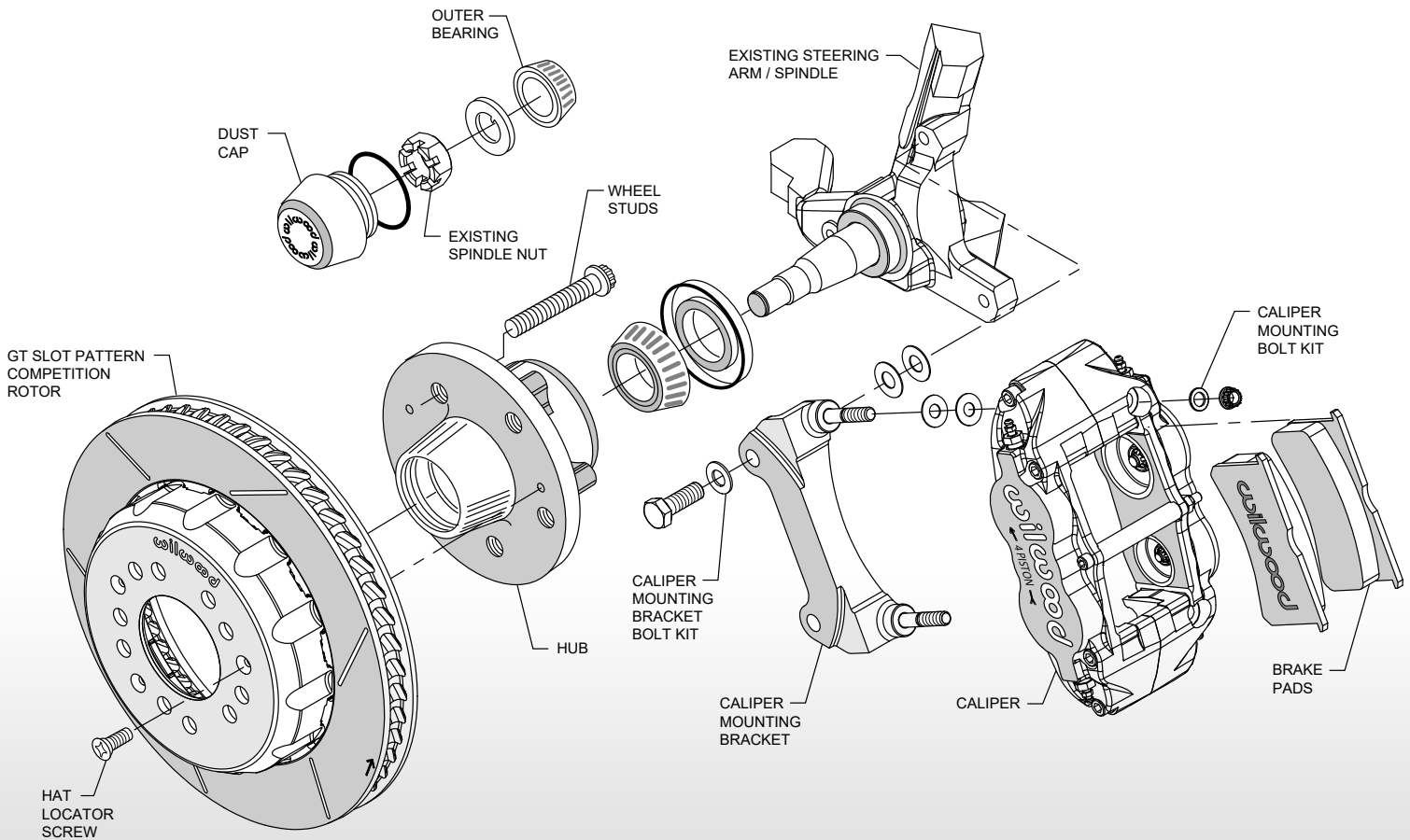
- SCCA A/S and NASA AI, AIX, and CMC spec-compliant front brake kits
- Differential bore four piston "ST" series calipers with Thermlock® pistons
- Choice of 12.19" or 13.06" diameter **Spec37** alloy GT 48 curved vane competition rotors
- Forged aluminum, lug drive, dynamic mount rotor hats with hardware
- BP-30 race compound *SmartPads*
- Compatible with either 1LE option or modified single piston caliper spindles



Lug-Drive Hat & Rotor System



- Simple installation eliminates rotor bolts
- Uses a large, single, internal snap-ring
- Rotor moves independently of the hat, removing thermal distortions through heat cycles
- Rotor stays flatter and runs truer, creating smoother, vibration-free performance
- Changing rotors has never been easier, or faster, even while hot



ORDERING INFORMATION: 1982 - 1992 Chevy Camaro Road Race Front Kit

PART NUMBER	DESCRIPTION	CALIPER FINISH
140-16117	Superlite 4R/ST Calipers, 12.19" x 1.25 Spec37 GT 48 Curved Vane Competition Series Rotors	Hard Anodize
140-16118	Superlite 4R/ST Calipers, 13.06" x 1.25 Spec37 GT 48 Curved Vane Competition Series Rotors	Hard Anodize