

AEROLITE 4R REAR BRAKE KIT

- High-capacity rear brake kit for use with OE axle hubs for heavy-duty highway, off-road and towing applications
- Forged aluminum AERO4 four piston radial-mount calipers with stainless steel pistons and internal bore seals
- Piston volumes matched to modern electronics, ABS and OEM master cylinder output
- One piece 14.25" 42-vane GT vented, slotted rotor and hat accepts OE parking brake assembly
- DOT approved 10" stainless steel braided flexline hoses, mounting brackets, hardware, and illustrated instruction guide included
- High-response, fade-resistant, long-wear BP-20 series *SmartPads*



Calipers available in red or black powder coat, or 22 additional color options



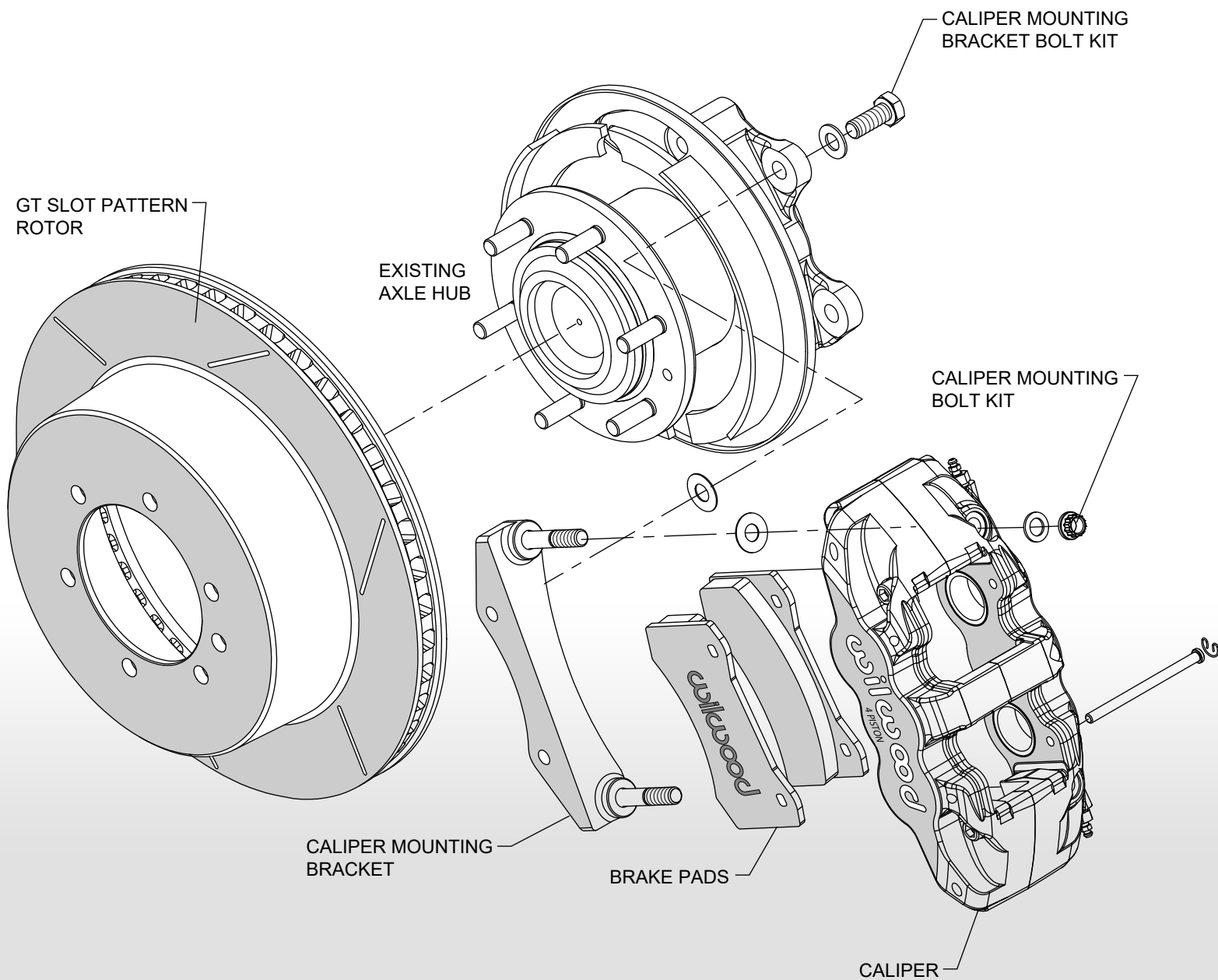


Figure 1. Aerolite 4R Big Brake Truck Rear Brake Kit

PLEASE CHECK: WILWOOD ALWAYS RECOMMENDS CHECKING [WWW.WILWOOD.COM](http://www.wilwood.com) FOR COMPLETE YEAR/MAKE/MODEL APPLICATION DATA AND SPECIFIC WHEEL CLEARANCE REQUIREMENTS

ORDERING INFORMATION: Nissan Y61 Patrol Vehicle Rear Brake Kit

PART NUMBER	DESCRIPTION	CALIPER FINISH
140-15597	Aerolite 4R Calipers, 14.25" GT 42-Vane Slotted Rotors	Black Powder Coat
140-15597-R	Aerolite 4R Calipers, 14.25" GT 42-Vane Slotted Rotors	Red Powder Coat