

Speed Xtreme SX6R brake kits provide the ultimate in high capacity, super-car braking for high-horsepower street, autocross and club sports track experience events. SX6R brake kits are engineered for direct-fit on the production C5, C6 and C7 Corvette, and all types of custom hot rods built using a Corvette front suspension.

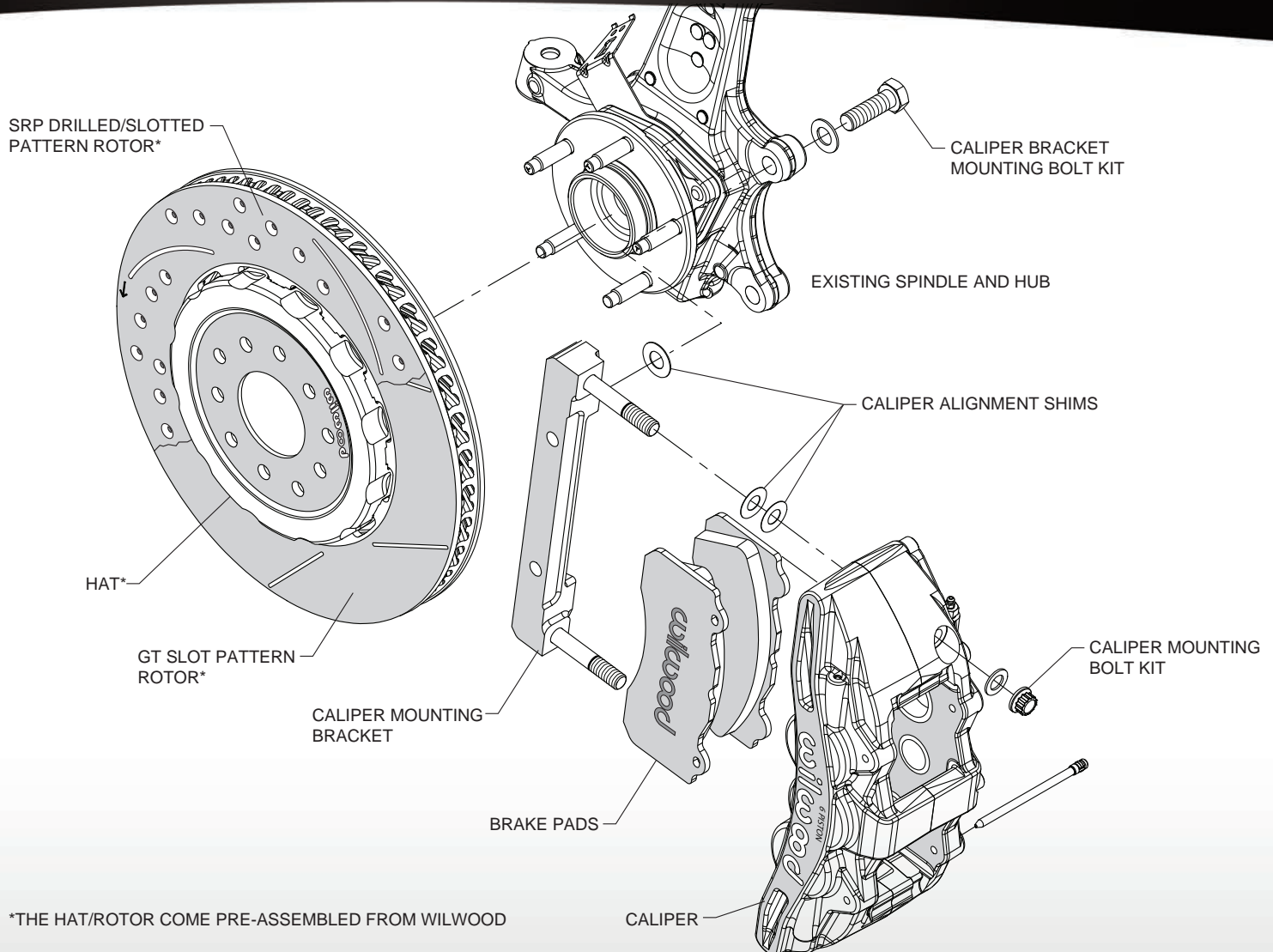


KIT FEATURES

- Large capacity forged aluminum six piston calipers with stainless steel pistons and internal damper springs
- High-temp, controlled retraction seal-in-bore design pressure seals, with external dust wiper seal rings
- Calipers are available in black and red powder coat or 22 additional color options
- 14.00" or 15.00" diameter, two-piece, dynamic mount lug drive *Spec37* alloy iron rotor assembly configurations
- Choices of GT competition slotted or dual-sport performance SRP drilled and slotted iron rotors
- Two-piece, dynamic t-nut mount WCCB carbon-ceramic rotor assemblies available in 15.00" configuration*
- Wilwood high-performance brake pad compounds specially selected based on rotor material and style
- Fully compatible with the factory master cylinder output, ABS and all other dynamic controls
- All inclusive kits requiring only an additional flexline kit purchased based on the specific model year



Note: Check www.wilwood.com for complete year/make/model application data and specific wheel clearance requirements.
*WCCB rotor option only available for C5 and C6 models.



*THE HAT/ROTOR COME PRE-ASSEMBLED FROM WILWOOD

Figure 1. Typical Installation Diagram

PLEASE CHECK: WILWOOD ALWAYS RECOMMENDS CHECKING www.wilwood.com FOR COMPLETE YEAR/MAKE/MODEL APPLICATION DATA AND SPECIFIC WHEEL CLEARANCE REQUIREMENTS.

ORDERING INFORMATION: Front Brake Kits for 1997-2019 C5/C6/C7 Chevrolet Corvette

PART NUMBER	DESCRIPTION	CALIPER FINISH
140-15309	Speed Xtreme SX6R Calipers, 14.00" Spec37 Lug Drive GT Competition Series Rotors	Black Powder Coat
140-15309-D	Speed Xtreme SX6R Calipers, 14.00" Spec37 Lug Drive SRP Drilled and Slotted Rotors	Black Powder Coat
140-15309-R	Speed Xtreme SX6R Calipers, 14.00" Spec37 Lug Drive GT Competition Series Rotors	Red Powder Coat
140-15309-DR	Speed Xtreme SX6R Calipers, 14.00" Spec37 Lug Drive SRP Drilled and Slotted Rotors	Red Powder Coat
140-15311	Speed Xtreme SX6R Calipers, 15.00" Spec37 Lug Drive GT Competition Series Rotors	Black Powder Coat
140-15311-D	Speed Xtreme SX6R Calipers, 15.00" Spec37 Lug Drive SRP Drilled and Slotted Rotors	Black Powder Coat
140-15311-R	Speed Xtreme SX6R Calipers, 15.00" Spec37 Lug Drive GT Competition Series Rotors	Red Powder Coat
140-15311-DR	Speed Xtreme SX6R Calipers, 15.00" Spec37 Lug Drive SRP Drilled and Slotted Rotors	Red Powder Coat
140-15312*	Speed Xtreme SX6R Calipers, 15.00" WCCB Carbon-Ceramic Rotors	Black Powder Coat
140-15312-R*	Speed Xtreme SX6R Calipers, 15.00" WCCB Carbon-Ceramic Rotors	Red Powder Coat

*WCCB rotor option only available on the C5 and C6 models.