

DISC BRAKES
wilwood

BMW E46 M3
2001 - 2006
**AEROLITE 6R/ST COMPETITION
ROAD RACE FRONT BRAKE KIT**

Aerolite 6R/ST Road Race brake kits are engineered application-specific to ease installation on production chassis vehicles, with the purpose of providing the ultimate in durability, high efficiency heat management, and championship-proven performance in extreme on-track competition.



KIT FEATURES

- Aerolite 6R/ST competition calipers with forged aluminum bodies, hard anodized finish, and internal spring-dampened Thermlock® pistons
- **Spec37** alloy GT 14.00" (355.6 mm) staggered directional vane rotors dynamically mount to the OE hubs with aluminum hats and t-nuts
- Caliper piston volumes matched to the factory hydraulics, with full compatibility to the ABS and all-dynamic electronic controls
- Radial mount brackets attach the calipers to the spindles in the stock location ensuring a secure and precise fit
- High endurance, smooth engagement, linear friction curve, racing formula BP-30 compound *SmartPads*
- All-inclusive kit with premium grade hardware and DOT approved stainless steel braided flexlines
- For best performance, use with Wilwood EXP 600 Plus Brake Fluid



Note: Check www.wilwood.com for complete year/make/model application data and specific wheel clearance requirements.

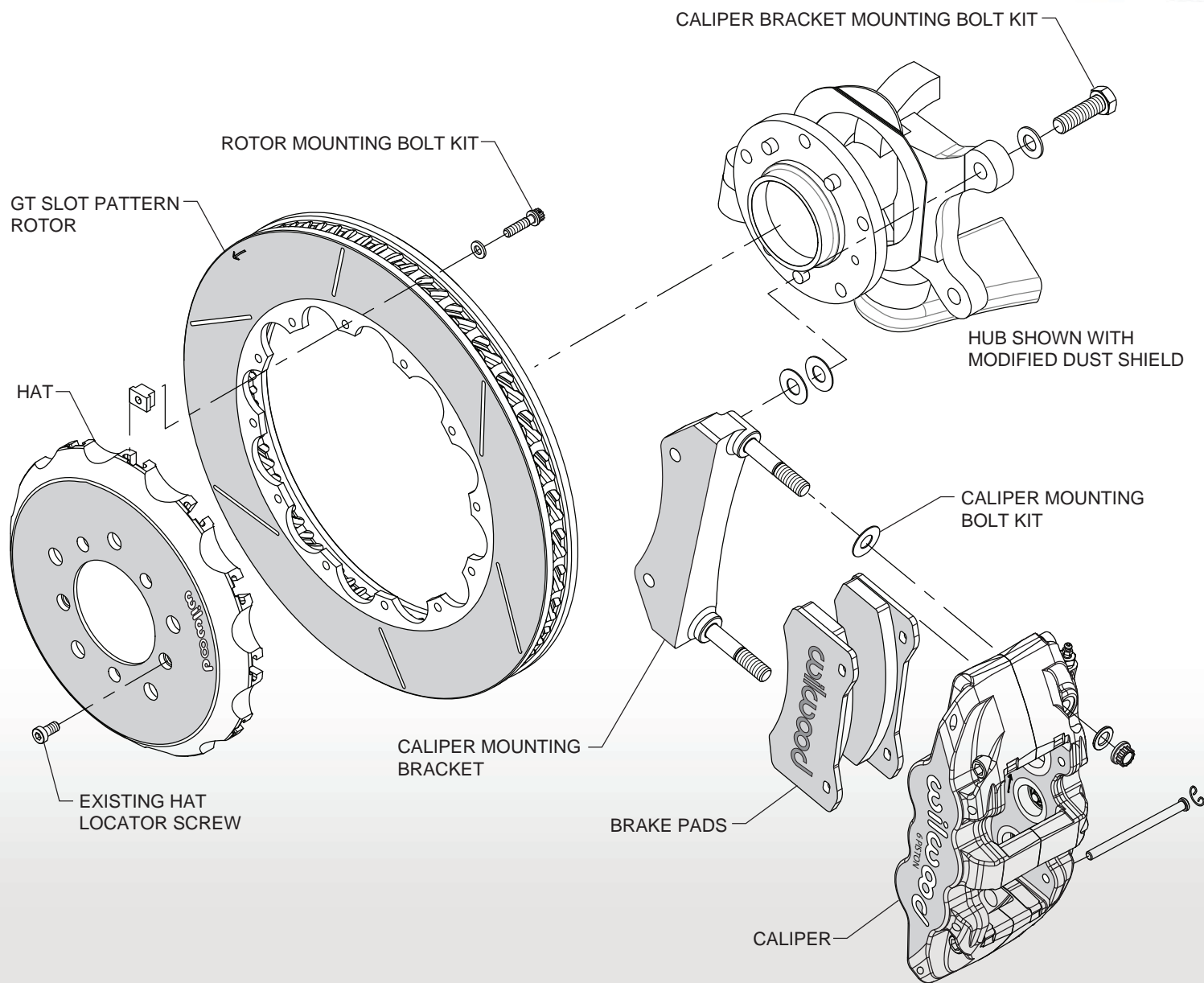


Figure 1. Typical Installation Diagram

PLEASE CHECK: WILWOOD ALWAYS RECOMMENDS CHECKING www.wilwood.com FOR COMPLETE YEAR/MAKE/MODEL APPLICATION DATA AND SPECIFIC WHEEL CLEARANCE REQUIREMENTS.

ORDERING INFORMATION: Complete Front Road Race Brake Kit for the 2001-2006 BMW E46 M3

PART NUMBER	DESCRIPTION	CALIPER FINISH
140-14978	Aerolite 6R/ST Calipers, 14.00" (355,6 mm) Spec37 GT Competition Rotors, BP-30 Compound <i>SmartPads</i>	Gray Hard Anodize
290-6209	EXP 600 Plus Super Hi-Temp Racing Brake Fluid, 16.9 Ounce, 500ml Bottle, Each	N/A
290-8478	EXP 600 Plus Super Hi-Temp Racing Brake Fluid, 16.9 Ounce, 500ml Bottle, Six Pack	N/A