

DISC BRAKES
wilwood

ALL-TERRAIN AT6 OFF-ROAD RACING CALIPERS

WILWOOD'S AT6

forged aluminum racing caliper is designed, engineered, and purpose-built to endure the rigors of off-road truck and buggy racing. The AT6 combines the latest technologies in manufacturing materials and processes in the most popular mounting

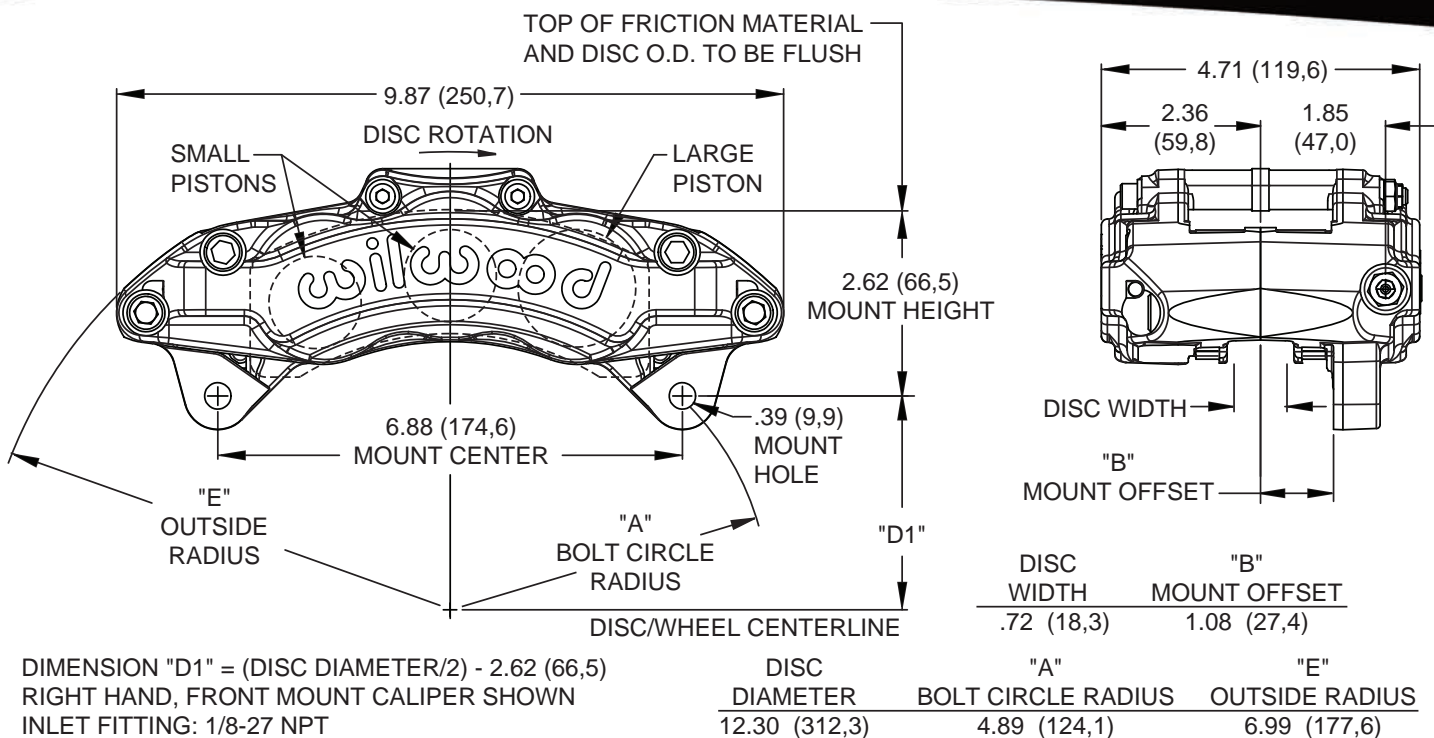


configuration built "tough enough for Baja." The caliper covers a wide range of racing classes in SCORE, BITD, Ultra-4, Pre-Runner, and all similar sanctions of desert and off-road competition, and is well-suited for both short course and endurance length events.

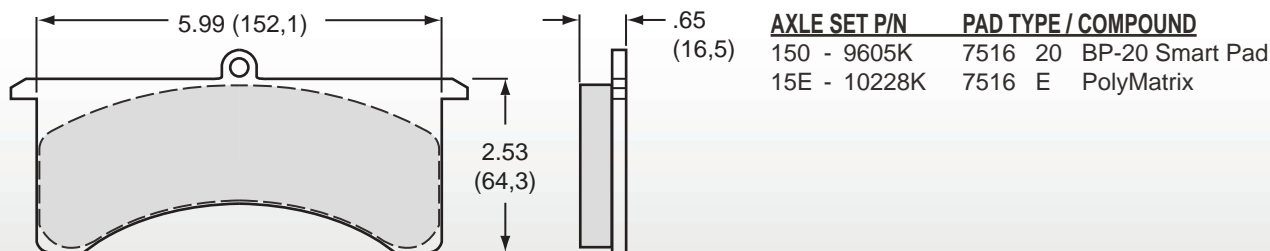
CALIPER FEATURES



- High-strength, lightweight forged aluminum lug mount body with the popular 6.88" mount centers
- MIL-Spec Type III hard anodized surfaces on all models for long wear and abrasion resistance
- Bolt-in center bridge support adds stiffness and top-side pad access
- Six piston, progressive differential bore configuration provides even pad wear through balanced loading
- Stainless steel pistons standard with Thermlock® piston upgrade available
- Internal seal-in-bore design provides controlled retraction without the issues common to external boots
- Internal damper springs reduce deflection-induced pad knock-back
- Replaceable stainless steel, spring loaded bridge abutment plates
- Uses large volume type 7516 pads
- Also available with gloss red or black powder coat finish



All-Terrain AT6 Caliper, Dimensional Characteristics



All-Terrain AT6 Caliper, Type 7516 Brake Pad Dimensions and Ordering Information

ORDERING INFORMATION: Wilwood All-Terrain AT6 Calipers

PART NUMBER	DESCRIPTION	CALIPER FINISH
120-14850-BK	All-Terrain AT6 Caliper, 1.75/1.38/1.38 Pistons for .72 Thick Rotor, Right Hand	Black Powder Coat
120-14851-BK	All-Terrain AT6 Caliper, 1.75/1.38/1.38 Pistons for .72 Thick Rotor, Left Hand	Black Powder Coat
120-14850-RD	All-Terrain AT6 Caliper, 1.75/1.38/1.38 Pistons for .72 Thick Rotor, Right Hand	Red Powder Coat
120-14851-RD	All-Terrain AT6 Caliper, 1.75/1.38/1.38 Pistons for .72 Thick Rotor, Left Hand	Red Powder Coat
120-14850	All-Terrain AT6 Caliper, 1.75/1.38/1.38 Pistons for .72 Thick Rotor, Right Hand	Gray Hard Anodize
120-14851	All-Terrain AT6 Caliper, 1.75/1.38/1.38 Pistons for .72 Thick Rotor, Left Hand	Gray Hard Anodize
150-9605K	Pad, Axle Set, 7516, BP-20 SmartPad, Extreme Duty Dual-Purpose Street/Off-Road	N/A
15E-10228K	Pad, Axle Set, 7516, PolyMatrix E, Light to Medium Duty Racing/Off-Road Events	N/A
200-7552	Thermlock® Piston, 1.75" x .88"	N/A
200-9616	Thermlock® Piston, 1.38" x .88"	N/A
130-3084	O-Ring Kit, Square Seal, 1.75"/1.38"/1.38", 6 Pack	N/A
220-0627	Bleed Screw Kit, 4 Pack	N/A
220-12487	Bleed Screw Cap Kit, 8 Pack	N/A