

### **WILWOOD'S WLD-19**

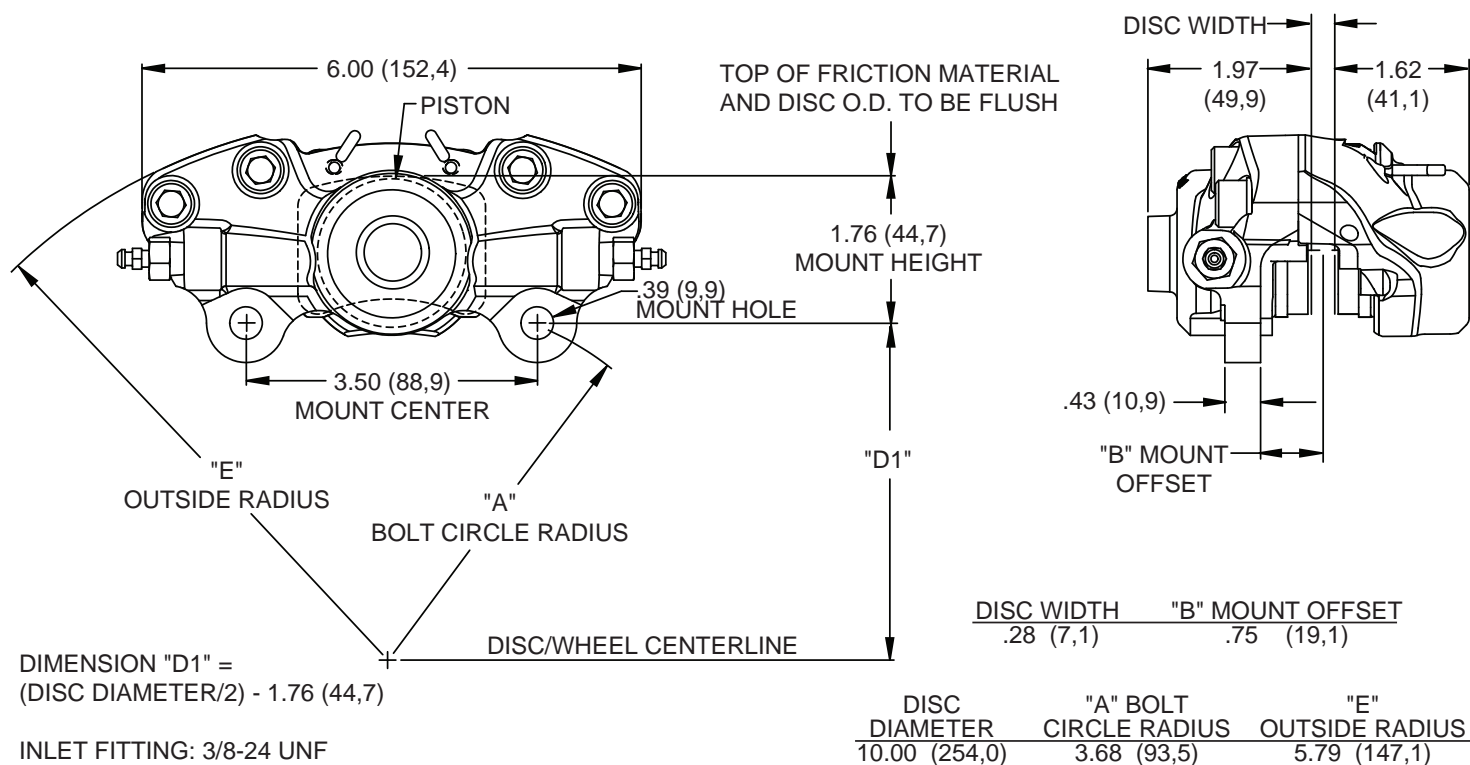
*forged aluminum  
two piston lug  
mount calipers  
provide the  
ultimate in  
durability, weight  
savings and high efficiency  
brake clamping for F/F, sports  
racers and all other formula-category  
road race applications configured for use with the  
traditional LD-19 lug mount-style calipers.*



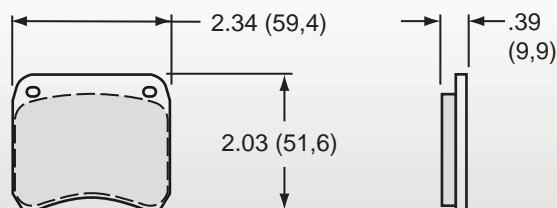
### **CALIPER FEATURES**



- Retains original LD-19 mount centers, height and offset
- High strength, lightweight 2.3 pound forged aluminum body with hard-coat anodized finish
- Internal seal-in-bore design with controlled retraction, square section, high-temp piston seals
- WLD-19 base model uses stainless steel pistons
- WLD-19/ST model uses Thermlock® pistons to reduce heat transfer from the pads into the caliper body, fluid and seals
- Calipers include internal piston damping springs and stainless steel bridge abutment plates
- Internal fluid transfer with single screw bleeding
- Accepts Wilwood-type 5310 or any brake pads made for LD-19 calipers
- 3/8-24 inlet port to accommodate banjo or straight union inlet fittings
- One part number fits right or left, lead or trail mounting



**WLD-19 Caliper, Dimensional Characteristics**



AXLE SET P/N	PAD TYPE / COMPOUND
15E - 8306K	5310 E PolyMatrix
15H - 8305K	5310 H PolyMatrix

**WLD-19 Caliper, Type 5310 Brake Pad Dimensions and Ordering Information**

## ORDERING INFORMATION: Wilwood WLD-19 Calipers and Related Components

PART NUMBER	DESCRIPTION	CALIPER FINISH
<a href="#">120-14373</a>	WLD-19 Caliper, 1.62" Bore for .25" Rotor, Stainless Steel Pistons	Hard Anodize
<a href="#">120-14374</a>	WLD-19/ST Caliper, 1.62" Bore for .25" Rotor, Thermlock® Pistons	Hard Anodize
<a href="#">15E-8306K</a>	Pad, Axle Set, 5310E PolyMatrix, Short Course / Autocross Compound	N/A
<a href="#">15H-8305K</a>	Pad, Axle Set, 5310H PolyMatrix, Road Race Extended Duty Compound	N/A
<a href="#">220-13674</a>	Fitting Kit, Caliper Inlet, 3/8-24 -3 AN Male Banjo Style, 90 Degree	N/A
<a href="#">220-3406</a>	Fitting, Caliper Inlet, 3/8-24 to -3 JIC Male, Straight Union	N/A
<a href="#">240-2705</a>	Sealing Washer, Annealed Copper for Fitting 220-3406	N/A
<a href="#">130-4346</a>	Square Ring Seal Kit, 4 Pack	N/A
<a href="#">220-0627</a>	Bleed Screw Fitting Kit, 4 Pack	N/A
<a href="#">180-3861</a>	Pad Retaining Pin Kit, 4 Pack	N/A