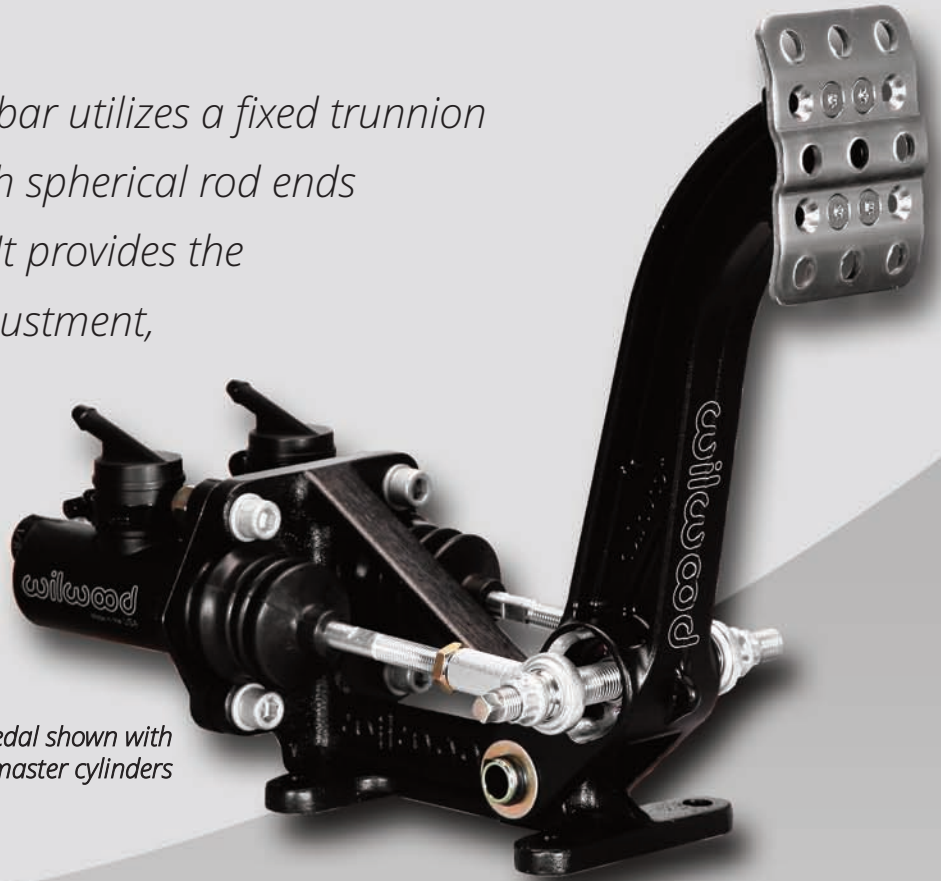


Wilwood's Tru-Bar balance bar utilizes a fixed trunnion bearing in the pedal arm with spherical rod ends at the pushrod connections. It provides the ultimate in precision bias adjustment, control and fine tuning on race prepped vehicles equipped with twin brake master cylinder systems and proportionately sized calipers.

Pedal shown with optional master cylinders



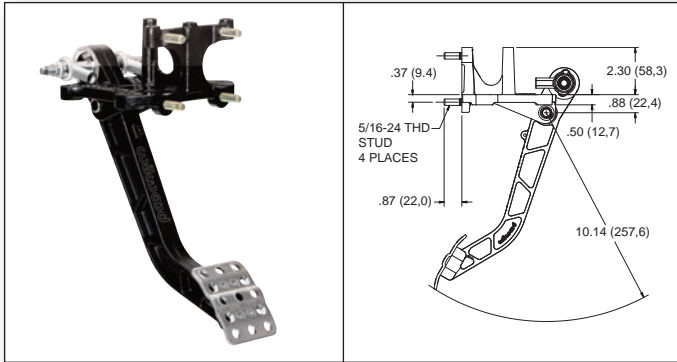
Pedal Features

- Fixed-center trunnion bearing-pivot and spherical rod-end attachment to the master cylinder pushrods ensure positive and precise adjustment
- High strength, heat treated 4340 steel 7/16-20" adjustment bar adds rigidity with increased bias change per turn
- Step-shouldered adjustment bar ends provide a positive stop to attach all traditional 3/8-24" thread adjuster cables
- Zero balance migration
- Overall improved feel, accuracy and response from the stiffer, close-tolerance assembly
- Forged-arm pedals with adjustable no-skid stainless steel foot pads
- Pedals accept all 2.25" pattern vertical flange mount cylinders
- Eight pedal combinations available in forward swing, reverse swing and floor mount configurations.

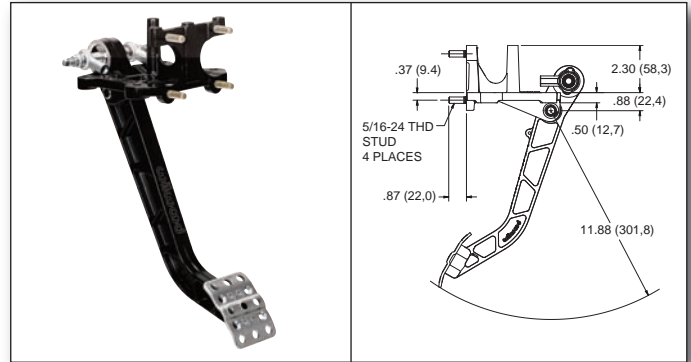
ORDERING INFORMATION:

PART NUMBER	DESCRIPTION	INTERCHANGE
340-15076	Dual Master Cylinder, Reverse Swing Mount, 5.1:1 Ratio, Brake	340-13837 / 340-5180
340-15077	Dual Master Cylinder, Reverse Swing Mount, 6.25:1 Ratio, Brake	340-12509 / 340-5181
340-15078	Dual Master Cylinder, Forward Floor Mount, 6:1 Ratio, Brake	340-13831 / 340-1285
340-15079	Dual Master Cylinder, Forward Swing Mount, 7:1 Ratio, Brake	340-13832 / 340-1287
340-15072	Triple Master Cylinder, Forward Swing Mount, 6.25:1 Ratio, Brake and Clutch	340-11295 / 340-3950
340-15073	Triple Master Cylinder, Reverse Swing Mount, 5.1:1 Ratio, Brake and Clutch	340-13835 / 340-4828
340-15074	Triple Master Cylinder, Reverse Swing Mount, 6.25:1 Ratio, Brake and Clutch	340-11299 / 340-3342
340-15075	Triple Master Cylinder, Reverse Swing Mount, 6.25:1 Ratio, Brake and 5.1:1 Ratio Clutch	340-13836 / 340-6451

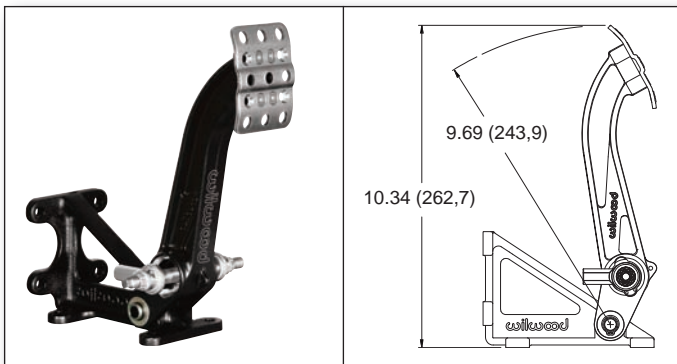
Dual Master Cylinder Pedals



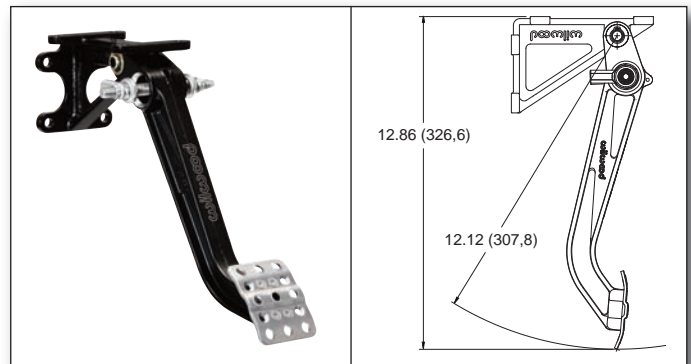
Part Number: 340-15076



Part Number: 340-15077

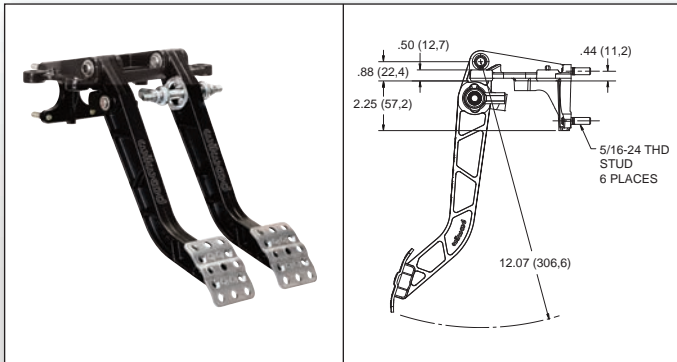


Part Number: 340-15078

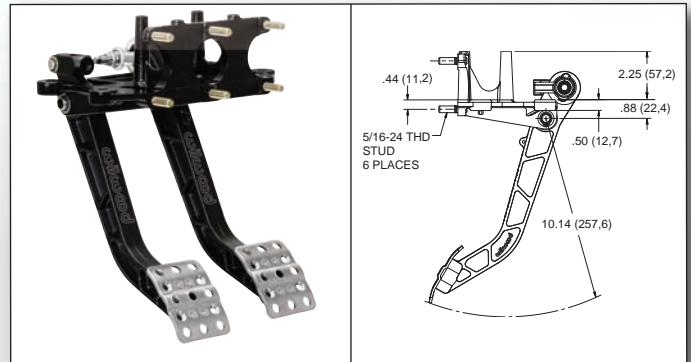


Part Number: 340-15079

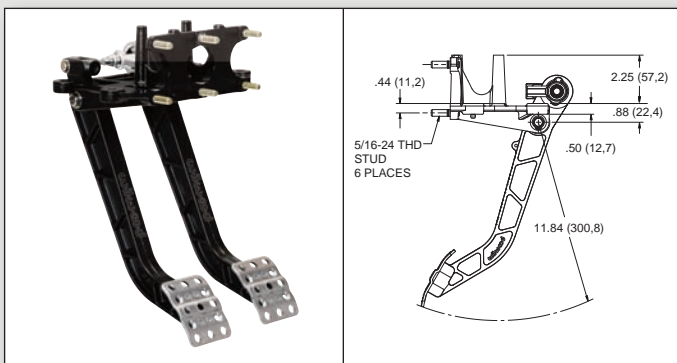
Triple Master Cylinder Pedals



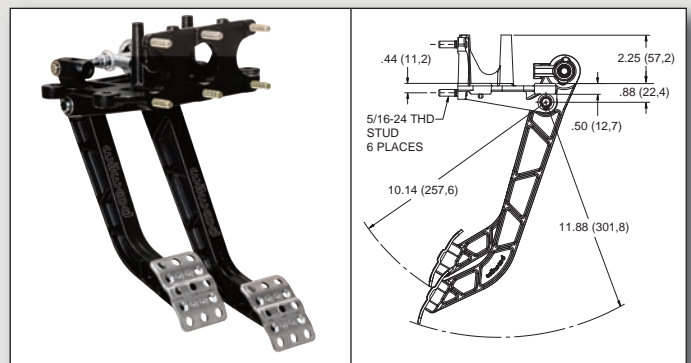
Part Number: 340-15072



Part Number: 340-15073



Part Number: 340-15074



Part Number: 340-15075