



# GM 2500 SERIES TRUCK/SUV • 1999-2015 REAR TX6R BIG BRAKE KITS

*Tactical Xtreme TX6R radial mount six piston caliper kits are engineered for heavy duty trucks and SUVs providing the ultimate in high strength braking for all types of highway and off-road extreme duty applications.*



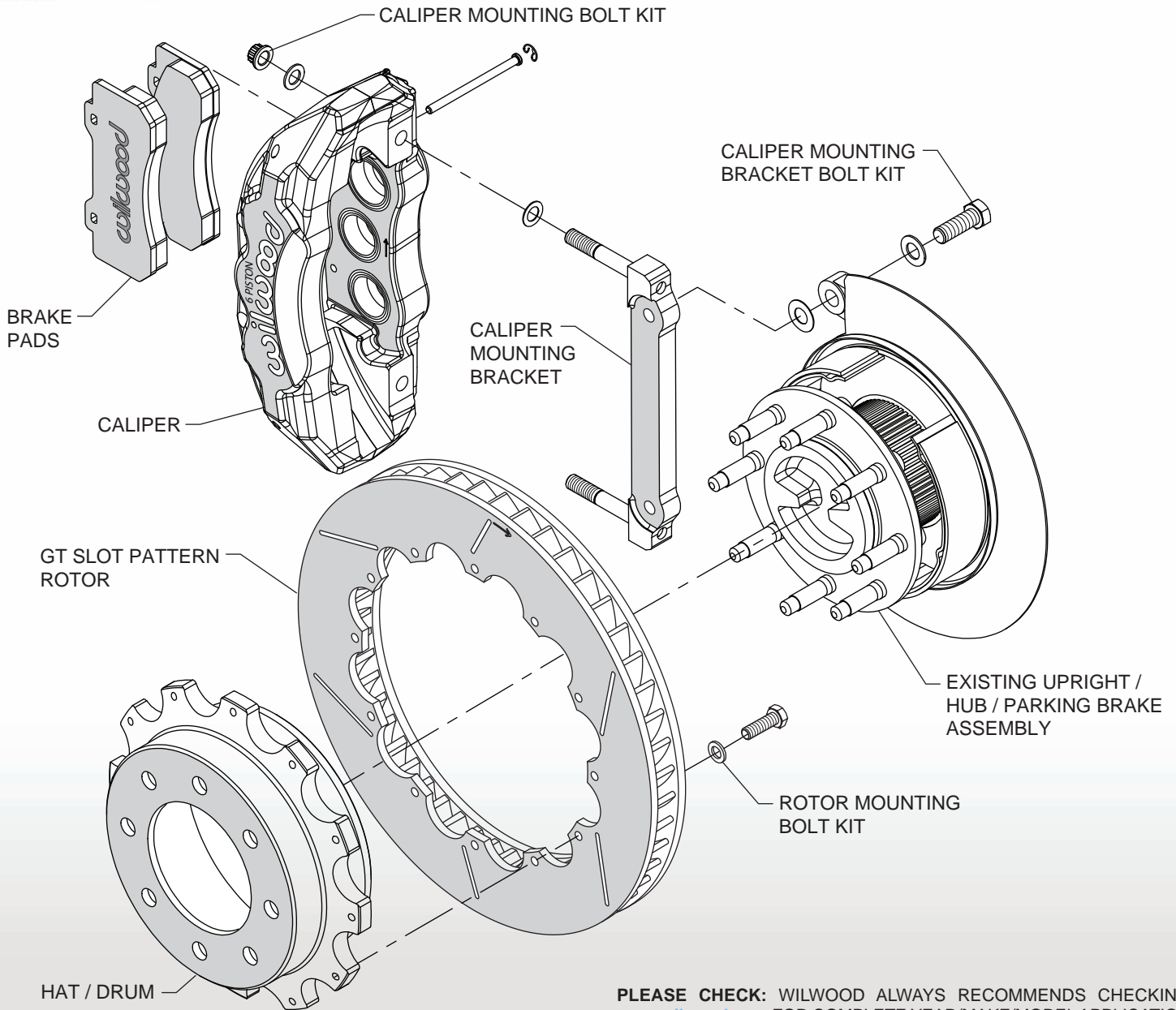
## Kit Features



- Forged aluminum calipers with stainless steel pistons and high-temp internal bore seals
- Big diameter 15.50" or 16.00" **Spec 37** alloy directional vane rotors by 1.38" thick <sup>(1)</sup>
- BP-20 metallic – composite compound *SmartPads*
- Fully compatible with the Original Equipment master cylinder output and electronic control systems, and retains full use of factory parking brake
- Calipers available in gloss black or red powder coat or clear anodize finish
- Easy bolt-on installation with premium grade hardware and detailed instruction guide <sup>(2)</sup>

(1) Check [www.wilwood.com](http://www.wilwood.com) for complete year/make/model application data and specific wheel clearance requirements

(2) Stainless steel braided flexline kits are required for installation and must be ordered separately by specific vehicle make, model, and year



**PLEASE CHECK:** WILWOOD ALWAYS RECOMMENDS CHECKING [www.wilwood.com](http://www.wilwood.com) FOR COMPLETE YEAR/MAKE/MODEL APPLICATION DATA AND SPECIFIC WHEEL CLEARANCE REQUIREMENTS.

## ORDERING INFORMATION:

PART NUMBER	DESCRIPTION	CALIPER FINISH
<a href="#">140-13874</a>	Rear Kit, 2011-2015 GM 2500, 8-Lug, 3/4 Ton, TX6R Calipers, 15.50" <b>Spec37</b> GT Rotors	Black Powder Coat
<a href="#">140-13874-R</a>	Rear Kit, 2011-2015 GM 2500, 8-Lug, 3/4 Ton, TX6R Calipers, 15.50" <b>Spec37</b> GT Rotors	Red Powder Coat
<a href="#">140-13874-C</a>	Rear Kit, 2011-2015 GM 2500, 8-Lug, 3/4 Ton, TX6R Calipers, 15.50" <b>Spec37</b> GT Rotors	Clear Anodize
<a href="#">140-13878</a>	Rear Kit, 1999-2010 GM 2500, 8-Lug, 3/4 Ton, 4.63" Center Register, TX6R Calipers, 16.00" <b>Spec37</b> GT Rotors	Black Powder Coat
<a href="#">140-13878-R</a>	Rear Kit, 1999-2010 GM 2500, 8-Lug, 3/4 Ton, 4.63" Center Register, TX6R Calipers, 16.00" <b>Spec37</b> GT Rotors	Red Powder Coat
<a href="#">140-13878-C</a>	Rear Kit, 1999-2010 GM 2500, 8-Lug, 3/4 Ton, 4.63" Center Register, TX6R Calipers, 16.00" <b>Spec37</b> GT Rotors	Clear Anodize
<a href="#">140-13879</a>	Rear Kit, 1999-2010 GM 2500, 8-Lug, 3/4 Ton, 4.84" Center Register, TX6R Calipers, 16.00" <b>Spec37</b> GT Rotors	Black Powder Coat
<a href="#">140-13879-R</a>	Rear Kit, 1999-2010 GM 2500, 8-Lug, 3/4 Ton, 4.84" Center Register, TX6R Calipers, 16.00" <b>Spec37</b> GT Rotors	Red Powder Coat
<a href="#">140-13879-C</a>	Rear Kit, 1999-2010 GM 2500, 8-Lug, 3/4 Ton, 4.84" Center Register, TX6R Calipers, 16.00" <b>Spec37</b> GT Rotors	Clear Anodize