



# POWERLITE 2R AND 2R/ST TWO PISTON RADIAL MOUNT CALIPERS



**Powerlite PL2R and PL2R/ST** radial mount calipers provide a high strength, lightweight, two-piston option for open wheel, formula car road racing and other similar types of competition, where high clamping efficiency within a limited wheel space and optimized rotor diameter are required.

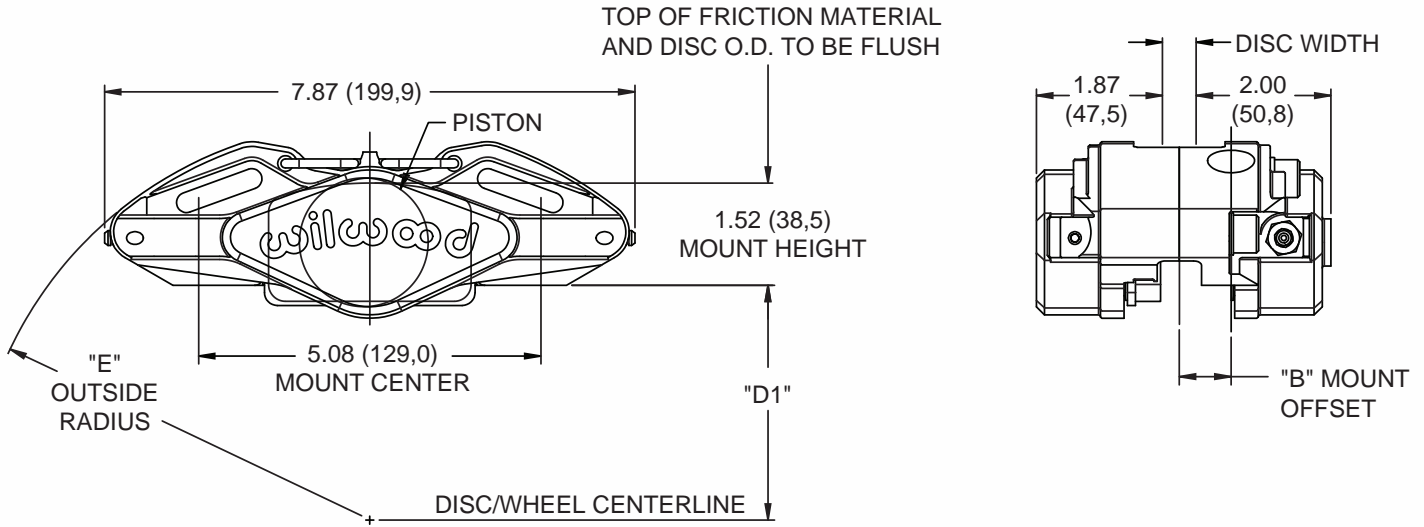
PL2R/ST Quick-Silver with Thermlock® Pistons



## Caliper Features



- Machined billet aluminum body with offset 1.75" piston bores
- Common radial stud spacing and mounting offsets
- Nickel plated Quick-Silver S/T models with Thermlock pistons
- Black anodized base models include stainless pistons
- Internal piston damping springs
- Top-loading quick-access type 7912 pads in a variety of compounds
- PL2R/ST weights 3.44 pounds
- Internal fluid ports
- Stainless steel bridge plates
- Two-piece bleed screws
- Lead or trailing mount position

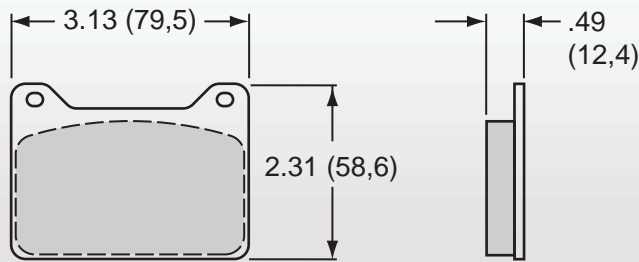


DIMENSION "D1" =  
(DISC DIAMETER/2) - 1.52 (38,5)

INLET FITTING: M10-1.0

DISC WIDTH	"B" MOUNT OFFSET	DISC DIAMETER	"E" OUTSIDE RADIUS	"D1" DIMENSION
.24/.50 (6,1/12,7)	.77 (19,5)	9.75 (247,7)	5.81 (147,5)	3.36 (85,3)
		10.25 (260,4)	6.03 (153,1)	3.61 (91,7)
		10.50 (266,7)	6.14 (156,1)	3.73 (94,8)
		10.75 (273,1)	6.26 (159,1)	3.86 (98,0)
		11.00 (279,4)	6.38 (162,1)	3.98 (101,2)

### Powerlite PL2R/ST Caliper, Dimensional Characteristics



AXLE SET P/N	PAD TYPE / COMPOUND		
15A - 8809K	7912	A	PolyMatrix
15B - 8949K	7912	B	PolyMatrix
15E - 8810K	7912	E	PolyMatrix
15H - 8811K	7912	H	PolyMatrix
15Q - 8812K	7912	Q	PolyMatrix
150 - 8813K	7912	10	BP-10 Smart Pad
150 - 9420K	7912	20	BP-20 Smart Pad
150 - 12006K	7912	30	BP-30 Smart Pad
150 - 12842K	7912	40	BP-40 Smart Pad

### Powerlite PL2R/ST Caliper, Type 7912 Brake Pad Dimensions and Ordering Information

#### ORDERING INFORMATION:

PART NO.	PISTON SIZES	ROTOR WIDTH	PISTON TYPE	ORIENTATION	FINISH
120-13863-N	1.75"	.24" - .50"	Thermlock®	Right Hand	Quick-Silver
120-13864-N	1.75"	.24" - .50"	Thermlock®	Left Hand	Quick-Silver
120-13863	1.75"	.24" - .50"	Stainless Steel	Right Hand	Black Anodized
120-13864	1.75"	.24" - .50"	Stainless Steel	Left Hand	Black Anodized