



DYNALITE PRO SERIES FRONT BRAKE KIT FOR HEIDTS TRI-5 2" DROP SPINDLE

Models Covered:

- Vehicles equipped with Heidts Tri-5 2" Drop Spindles

Kit Features:

- Billet forged 4-piston Dynalite calipers available in black anodized or red powder coat finish.
- Choose either 11.00" or 12.19" diameter ULHP plain face or SRP drilled and slotted rotors.
- Optional DOT approved stainless steel flexline kit available in various lengths for a custom installation.
- Fully compatible with ABS and OE master cylinder output.
- BP-10 street performance brake pads standard.

Component Features:

Forged Billet Dynalite Lug Mount Calipers

- Calipers provide big clamping power in a truly lightweight, rigid and reliable design.
- Four stainless steel pistons provide additional corrosion resistance and the lowest heat transfer of any one-piece piston design.
- Black anodized finish provides excellent corrosion resistance and long term preservation of their high-tech style and appearance.
- Calipers are also available in a red powder coat finish.

ULHP or SRP Directional Vane 11.00" or 12.19" Rotors

- Directional vane rotors provide the highest degree of cooling efficiency with increased surface area and improved air circulation between the rotor faces.
- ULHP rotors provide high performance and rugged durability for a wide range of competition, performance, and sport driving applications. Rotors are cast from premium grade, long grain carbon iron.
- Optional SRP directional drilled and slotted rotors enhance pad performance with consistent response by cleaning and venting gasses, dust, and burnt pad material. A proprietary black e-coat finish is applied to resist corrosion.

Forged Billet Performance Hubs

- Forged billet hubs are made from premium grade alloy billets that are forged into shape under high heat and pressure, the CNC machined for a precise fit on the spindle.
- Hubs include installed bearing races and screw-on aluminum dust caps.

Wilwood BP-10 "Smart Pads"

- All kits include BP-10 metallic-composite compound "Smart Pads". BP-10 delivers the increased friction; higher fade resistance, and longer wear of an entry-level track pad, with virtually noise and dust free performance for the street.
- Optional race-only compounds can be ordered to suit the braking requirements at all levels of severe duty and sustained high heat competition.

Hardware and Plumbing

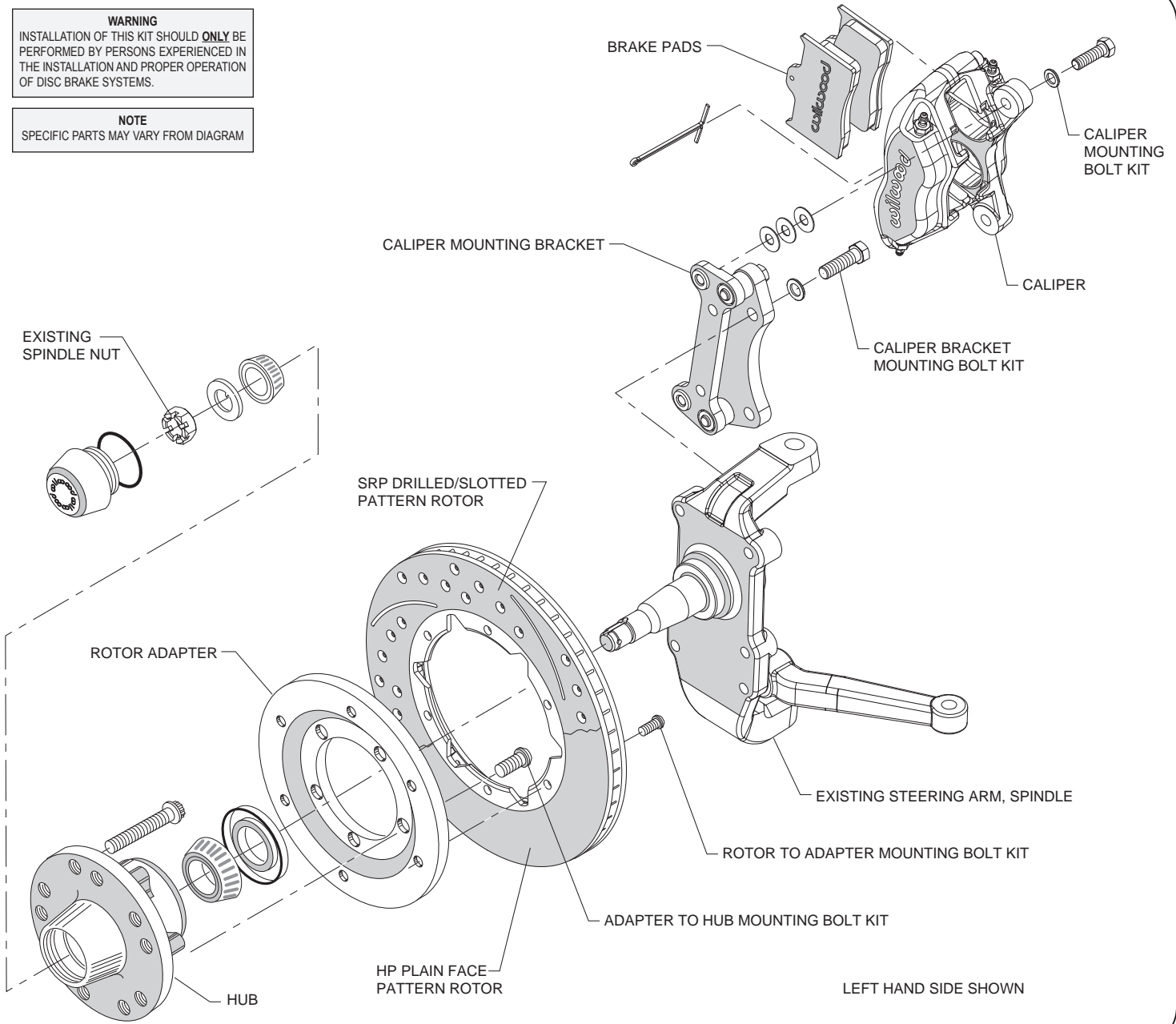
- Installation is simple. The kit is a complete bolt-on without the need to modify any of the existing brake or suspension components. Aluminum mounting brackets and premium grade hardware are supplied with detailed installation instructions in every kit.
- Stainless steel braided competition flexline kits are required to connect the Wilwood calipers to the brake system and must be ordered separately.



Heidts Pro Series Front Kit with SRP Rotor and Red Caliper

WARNING
 INSTALLATION OF THIS KIT SHOULD **ONLY** BE PERFORMED BY PERSONS EXPERIENCED IN THE INSTALLATION AND PROPER OPERATION OF DISC BRAKE SYSTEMS.

NOTE
 SPECIFIC PARTS MAY VARY FROM DIAGRAM



Typical Installation Diagram

ORDERING INFORMATION:

PART NUMBER	DESCRIPTION
140-12305	Front Kit, Heids Tri-5 2" Drop Spindle, Dynalite Caliper, 11.00" ULHP Plain Face Rotor
140-12305-D	Front Kit, Heids Tri-5 2" Drop Spindle, Dynalite Caliper, 11.00" SRP Drilled and Slotted Rotor
140-12305-DR	Front Kit, Heids Tri-5 2" Drop Spindle, Dynalite Caliper, 11.00" SRP Drilled & Slotted Rotor, Red Caliper
140-12305-R	Front Kit, Heids Tri-5 2" Drop Spindle, Dynalite Caliper, 11.00" ULHP Plain Face Rotor, Red Caliper
140-12306	Front Kit, Heids Tri-5 2" Drop Spindle, Dynalite Caliper, 12.19" ULHP Plain Face Rotor
140-12306-D	Front Kit, Heids Tri-5 2" Drop Spindle, Dynalite Caliper, 12.19" SRP Drilled and Slotted Rotor
140-12306-DR	Front Kit, Heids Tri-5 2" Drop Spindle, Dynalite Caliper, 12.19" SRP Drilled & Slotted Rotor, Red Caliper
140-12306-R	Front Kit, Heids Tri-5 2" Drop Spindle, Dynalite Caliper, 12.19" ULHP Plain Face Rotor, Red Caliper