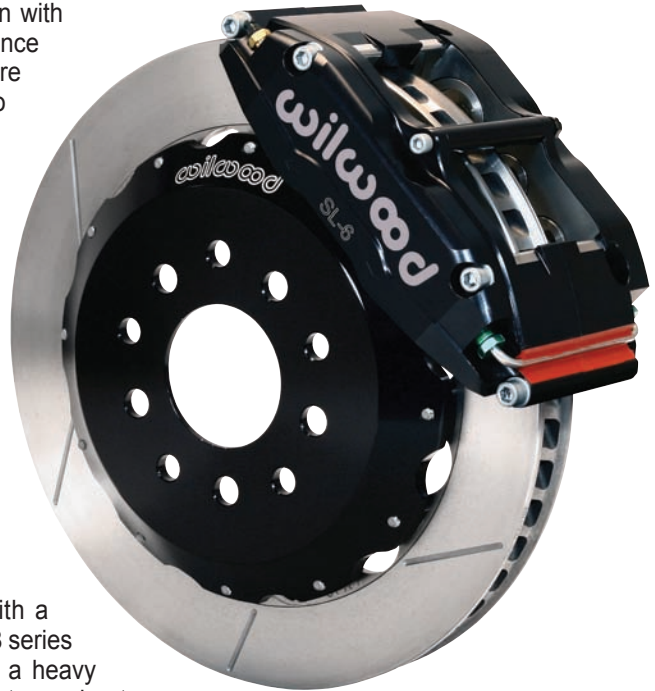


SUPERLITE 6R/ST ROAD RACING BIG BRAKE KITS

Kit Features:

Wilwood's Superlite 6R/ST Big Brake kits are performance proven with Championship credentials in the grueling Grand-AM Cup endurance road race series. These kits are easily installed in not much more time than it takes to change stock pads and rotors. There are no modifications required to any of the original equipment on the car. Full ABS function is retained and the kits are fully compatible with the OE power brake booster and master cylinder.

Big Brake Road Race kits feature the high clamping force and thermally protected performance of the Superlite 6R/ST series six piston machined billet calipers. These calipers are loaded with high-end technology including Wilwood's exclusive Thermlock heat blocking pistons, SRS noise reduction bridge wear plates, full internal stainless heat shields, two-piece bleed assemblies, and dampen mounted fluid tubes. The calipers attach in the original mount bosses with a machined billet radial mount bracket that allows fast service in the field and precise two-plane alignment over the rotor. All grade 8 and aircraft quality hardware, including alignment shims, are included in the kit.



The original one-piece iron hat / rotor assembly is replaced with a two-piece aluminum mounting hat and large 12.90" diameter GT-48 series competition rotor. GT-48 series rotors are race-bred and feature a heavy wall, 48 directional vane construction for maximum cooling in extreme heat environments. Each rotor is fully detail machined to less than .001" tolerances for flatness, parallelism, and overall run-out. An asymmetrical face groove pattern provides effective pad cleaning, gas venting, and engagement harmonic reduction. Every GT rotor is individually spun-balanced to assure smooth operation at all speeds. The GT series aluminum alloy mounting hats provide a super strong mount to the hub at the lightest possible rotating and unsprung weight. Lock-wire drilled stainless steel rotor mounting bolts provide ultimate reliability and thermal resistance when the heat is on.

Friction is provided by PolyMatrix 7420 "J" compound pads. PolyMatrix "J" compound is a super long wearing, extreme temperature pad that provides consistent pedal response, smooth engagement and clean release with fade free performance over the full operating temperature range. The large pad volume and 20mm thickness of the 7420 style pad assures plenty of stops for the toughest days at any track.

To complete the installation, stainless steel reinforced flexlines and the necessary adapter fittings are provided to complete the installation back to the OE line bulkhead at the chassis.

Contact your local dealer or Wilwood for additional information and ordering.

ORDERING INFORMATION:

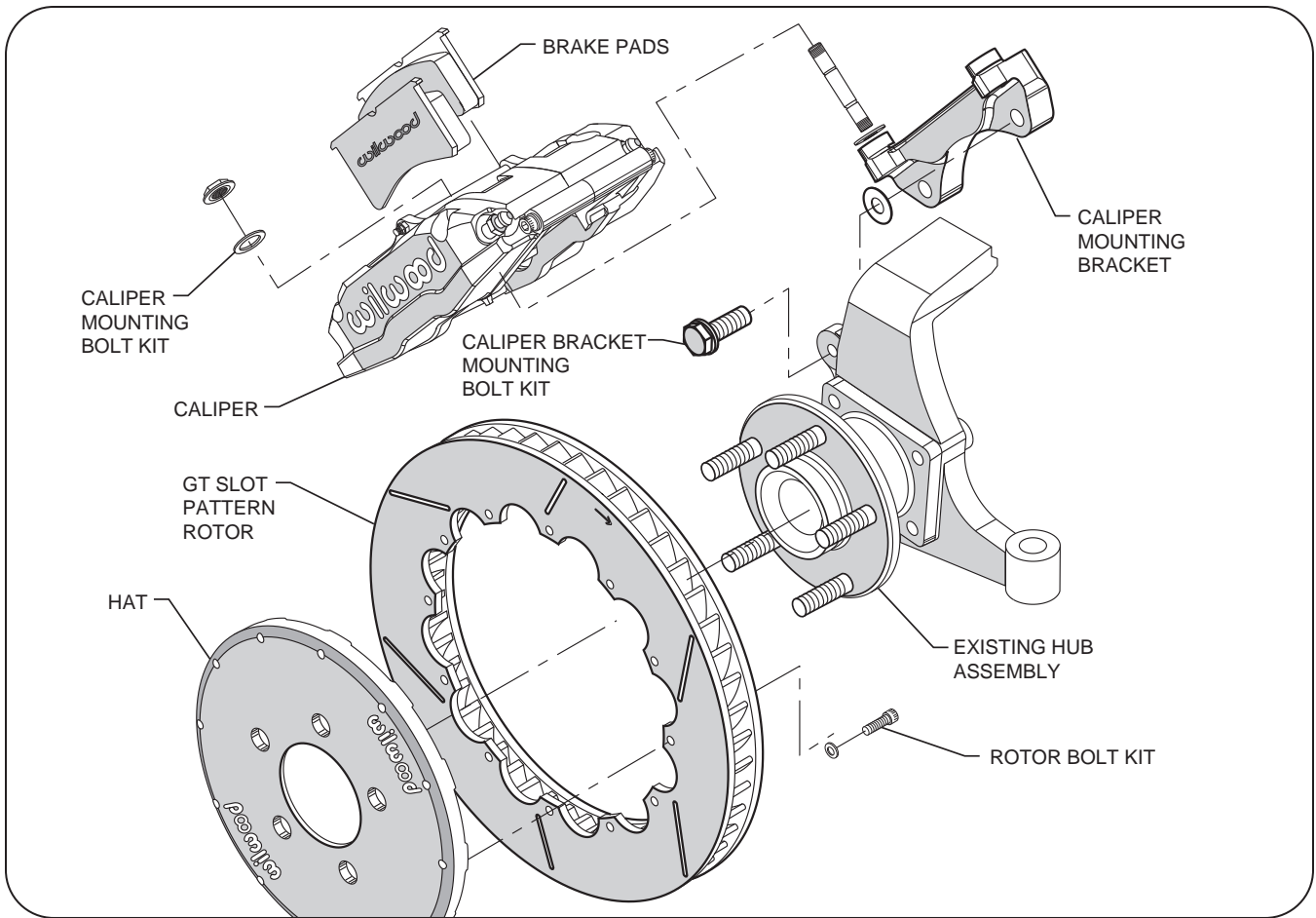
MAKE

1998-2002 GM "F" Body Camaro / Firebird
1994-2003 Mustang 5 Lug

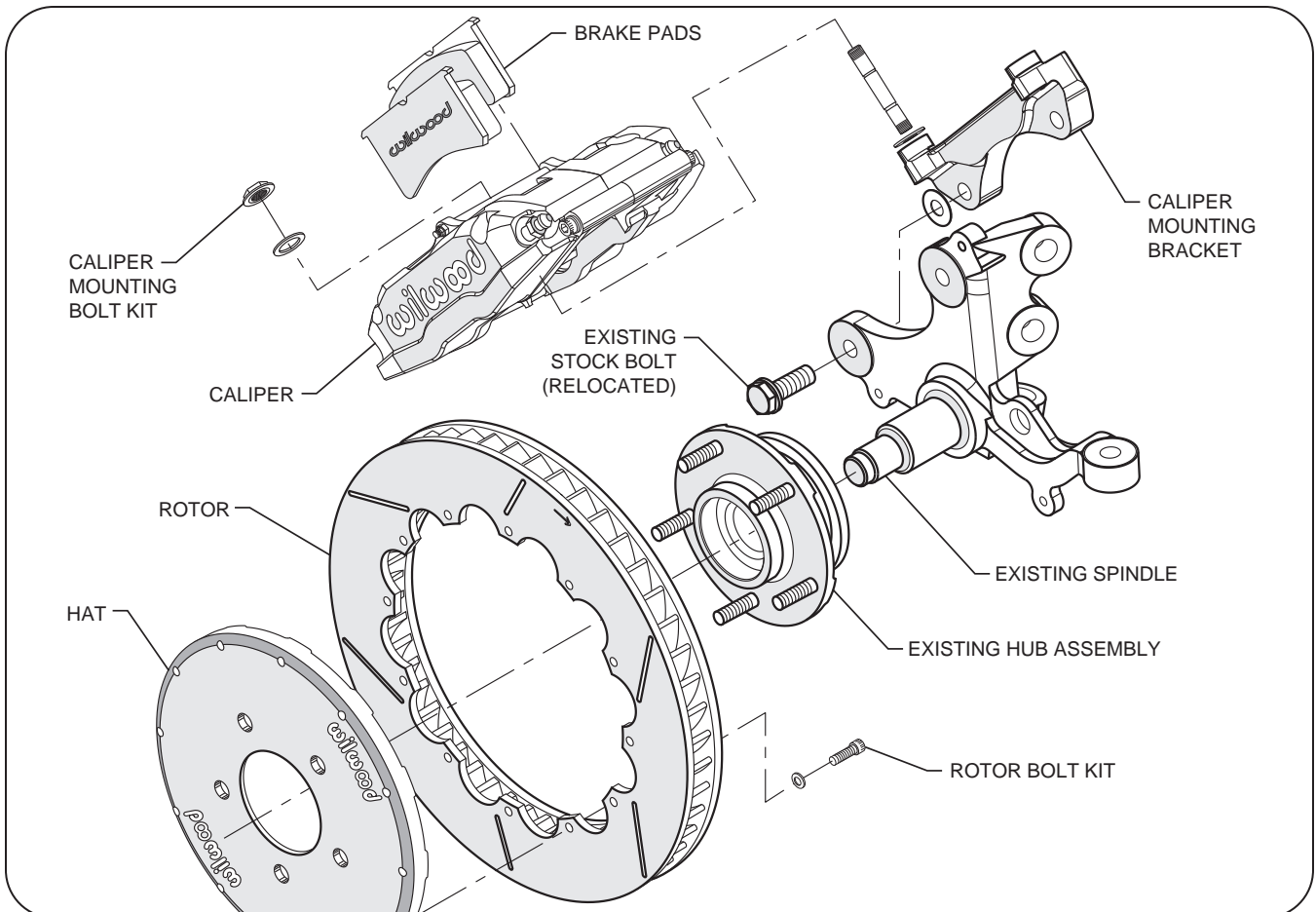
PART NUMBER

140-7190
140-7191

NOTE: Kit number 140-7190 can be installed on any 1993-97 Camaro or Firebird by updating to the 1998-2002 steering knuckle. It is a direct bolt-on and no other modifications are required.



1998-2002 Camaro/Firebird Typical Installation Configuration, Major Components Identified



1994-2003 Mustang 5 Lug Typical Installation Configuration, Major Components Identified