

INSTALLATION INSTRUCTIONS
FOR
**FORWARD FLOOR MOUNT
BRAKE/CLUTCH PEDAL ASSEMBLY
WITH BALANCE BAR AND ADJUSTABLE RATIO PEDALS
(4.75:1 - 5.75:1)***

*For additional vehicle compatibility, visit www.wilwood.com

BASE PART NUMBER

340-16606

**DISC BRAKES SHOULD ONLY BE INSTALLED BY SOMEONE
EXPERIENCED AND COMPETENT IN THE INSTALLATION AND
MAINTENANCE OF DISC BRAKES
READ ALL WARNINGS**

WARNING

IT IS THE RESPONSIBILITY OF THE PERSON INSTALLING ANY BRAKE COMPONENT OR KIT TO DETERMINE THE SUITABILITY OF THE COMPONENT OR KIT FOR THAT PARTICULAR APPLICATION. IF YOU ARE NOT SURE HOW TO SAFELY USE THIS BRAKE COMPONENT OR KIT, YOU SHOULD NOT INSTALL OR USE IT. DO NOT ASSUME ANYTHING. IMPROPERLY INSTALLED OR MAINTAINED BRAKES ARE DANGEROUS. IF YOU ARE NOT SURE, GET HELP OR RETURN THE PRODUCT. YOU MAY OBTAIN ADDITIONAL INFORMATION AND TECHNICAL SUPPORT BY CALLING WILWOOD AT (805) 388-1188, OR VISIT OUR WEB SITE AT WWW.WILWOOD.COM. USE OF WILWOOD TECHNICAL SUPPORT DOES NOT GUARANTEE PROPER INSTALLATION. **YOU**, OR THE PERSON WHO DOES THE INSTALLATION MUST KNOW HOW TO PROPERLY USE THIS PRODUCT. IT IS NOT POSSIBLE OVER THE PHONE TO UNDERSTAND OR FORESEE ALL THE ISSUES THAT MIGHT ARISE IN YOUR INSTALLATION.

RACING EQUIPMENT AND BRAKES MUST BE MAINTAINED AND SHOULD BE CHECKED REGULARLY FOR FATIGUE, DAMAGE, AND WEAR.



Need Additional Information? Use Your
SmartPhone and Jump to Our Technical
Tips Section on Our Web Site.

DISC BRAKES
wilwood

WARNING

DO NOT OPERATE ANY VEHICLE ON UNTESTED BRAKES!
SEE MINIMUM TEST PROCEDURE WITHIN

ALWAYS UTILIZE SAFETY RESTRAINT SYSTEMS AND ALL OTHER AVAILABLE SAFETY EQUIPMENT WHILE OPERATING THE VEHICLE

IMPORTANT • READ THE DISCLAIMER OF WARRANTY INCLUDED IN THE KIT

NOTE: Some cleaners may stain or remove the finish on brake system components. Test the cleaner on a hidden portion of the component before general use.

General Information

FEATURES

- ▶ Pedals have three adjustable ratios ranging from 4.75:1 to 5.75:1
- ▶ Adjustable stainless steel brake and clutch pedal foot pads
- ▶ High strength computer design and lightweight construction
- ▶ Includes brake balance bar and clevises
- ▶ High strength steel master cylinder mounting studs
- ▶ Use with Wilwood compact, high volume, or combination remote master cylinders
- ▶ Wilwood's own black E-Coat finish
- ▶ Easy mounting location
- ▶ Finest quality hardware
- ▶ Keeps master cylinders away from heat source

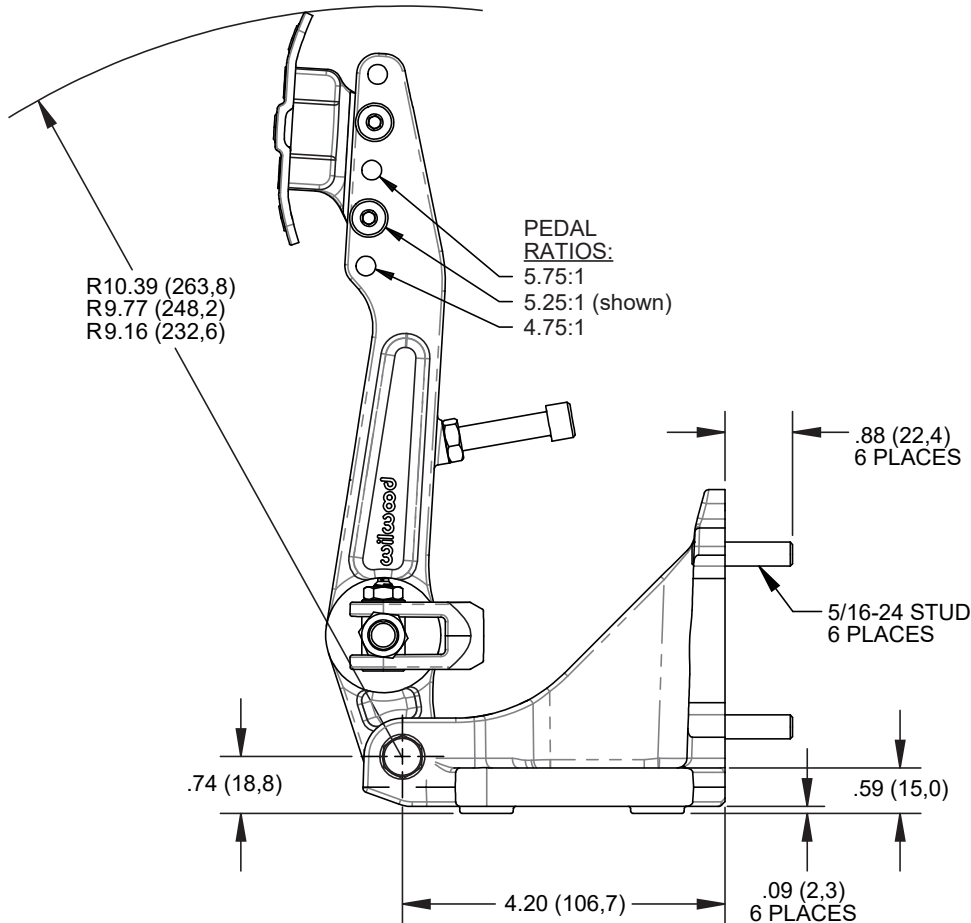
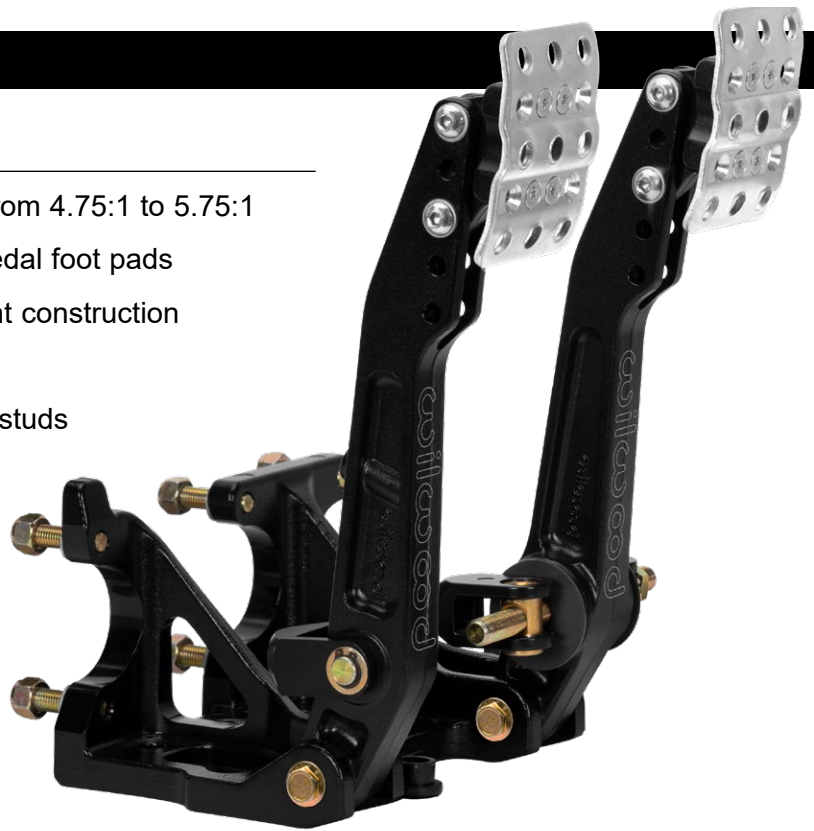


Figure 1a. Forward Mount Dual Pedal Assembly, Physical Dimensions, 4.75:1 to 5.75:1 Adjustable Ratios, (p/n 340-16606)

Photographic Tip

Important and highly recommended: Take photos of brake system before disassembly and during the disassembly process. In the event, trouble-shooting photos can be life savers. Many vehicles have undocumented variations, photos will make it much simpler for Wilwood to assist you if you have a problem.

Installation Instructions

*Installation of this component should **ONLY** be performed by persons experienced in the installation and proper operation of disc brake systems. Before assembly begins, familiarize yourself with the following procedure to ensure a trouble-free installation.*

•Wilwood's forward mount dual pedal assembly must be mounted using the four .34" diameter outboard tab mounting holes as shown in Figures 1a & 1b. Attach the pedal assembly to two sturdy beams or plates with four 5/16" bolts. Pedal assembly must be rigidly attached to frame and not deflect under heavy pedal forces. **NOTE:** Pedal must be free from obstructions over the entire range of motion. Allow enough space so balance bar adjustments can be made and master cylinders are accessible.

Installation Instructions (Continued)

FOOT PAD DETAIL

SECURE MOUNTING SCREWS WITH BLUE LOCTITE® 242
 TORQUE: 75 in-lbs. (T-20 TORX DRIVE REQ'D)

FOOT PAD

.500 (12,7)
 ADJUSTABLE LEFT TO RIGHT

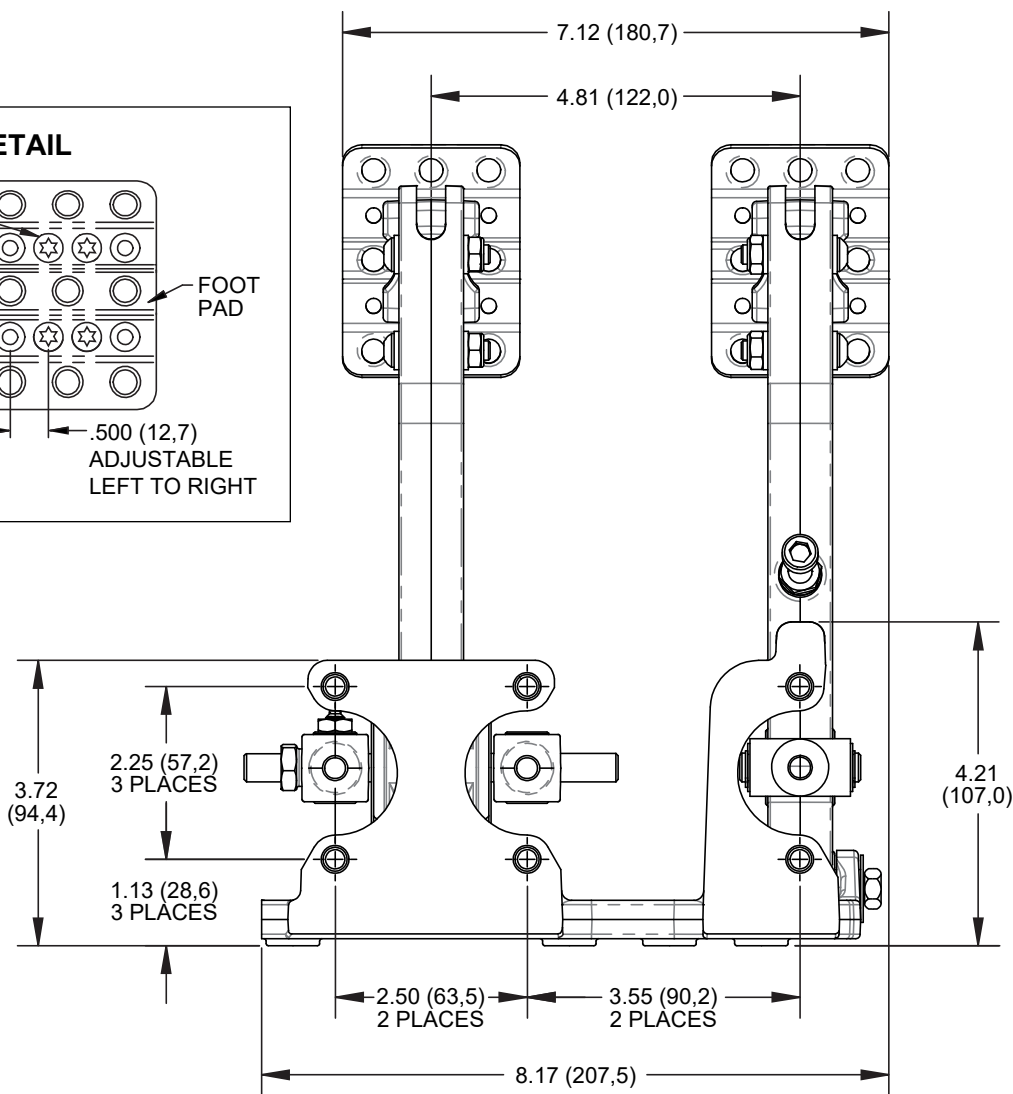
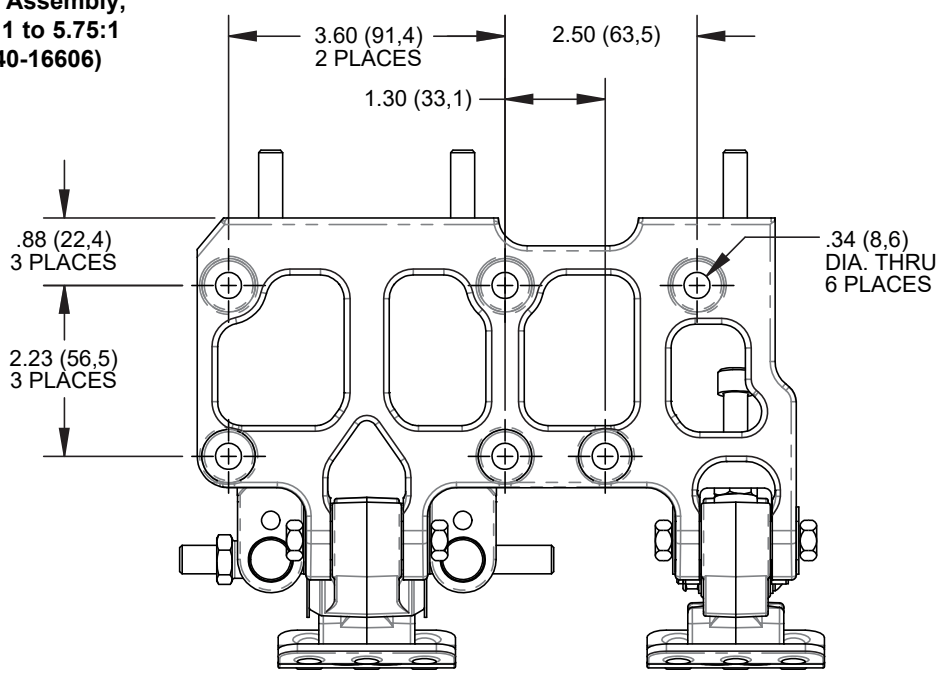


Figure 1b.
Forward Mount Dual Pedal Assembly,
Physical Dimensions, 4.75:1 to 5.75:1
Adjustable Ratios, (p/n 340-16606)



Pedal Assembly Instructions

STEP 1 Install the pedal pad head (1) into the “fork” of the pedal arm in the desired location as shown in Figure 2. Secure in place using bolts (2), washers (3), and locknuts (4).

STEP 2 Torque locknuts (4) to value indicated in Figure 2.

•**NOTE:** The position of the pedal head on the pedal affects the pedal ratio. Ratio may be adjusted from 4.75:1 to 5.75:1.

STEP 3 Orient foot pad (5) as shown in Figure 2. Pad may be installed in three different positions as shown in Foot Pad Detail of Figure 1b. Secure to pedal head (1) using four T-20 drive Torx screws (6). Apply blue *Loctite*® 242 to the threads and torque to value indicated in Figure 2.

STEP 4 Screw the clutch pedal stop bolt (7) into jam nut (8) and then into the clutch pedal, not shown. **NOTE:** Final adjustment of stop bolt will be performed after pedal installation in vehicle.

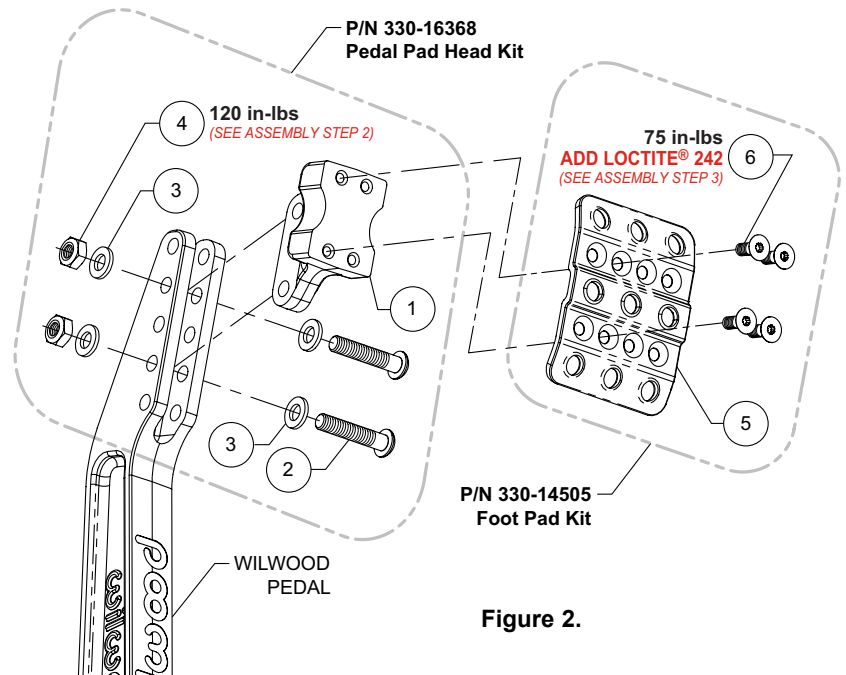


Figure 2.

ITEM NO.	PART NO.	DESCRIPTION	QTY	NOTES
1	330-16077	Pedal Pad Head, Adjustable	2	P/N 330-16368 Pedal Pad Head Kit, includes p/n's 230-16369, 230-16370, 240-11240, and 330-16077
2	230-16369	Bolt, 1/4-28 x 1.25" Long, Button Head	4	
3	240-11240	Washer, .265" I.D. x .500" O.D. x .063" Thick	8	
4	230-16370	Nut, 1/4-28, Nylock	4	
5	330-11280	Foot Pad, Adjustable	2	P/N 330-14505 Foot Pad Kit, includes p/n's 230-11300, and 330-11280
6	230-11300	Screw, 10-24 x .50" Long, T-20 Torx Drive	8	
7	230-8210	Bolt, 5/16-18 x 2.00" Long, Socket Head (not shown)	1	
8	230-1334	Nut, Jam, 5/16-18, Hex (not shown)	1	

Additional Information and Recommendations

•The pedal assembly uses standard racing master cylinder mounting patterns. Wilwood's compact, high volume, and combination remote master cylinders mount directly to the pedal assembly, as do most other high performance master cylinders. All master cylinder mounting hardware is included with the pedal assembly. Master cylinder flange should mount flush to pedal assembly and be held in place with enclosed washers and locknuts. The clevis on each pedal has a 5/16-24 thread. Make sure to use a jam nut on the master cylinder pushrod when threaded into clevis and check that pushrod is allowed to fully retract when pedal is released.

•Wilwood Hi-Temp® 570 Racing Brake Fluid (6 pack P/N 290-2210) is recommended for race cars and high performance vehicles where brake temperatures exceed normal operating conditions, or use Wilwood EXP 600 Plus Super Hi-Temp (6 pack P/N 290-8478) for severe conditions. For extreme braking temperatures of endurance racing, use Wilwood XR Race-Only Brake Fluid (4 pack P/N 290-16354, not DOT approved, off-highway use only). Used fluid must be completely flushed from the system to prevent contamination. **NOTE:** Silicone DOT 5 brake fluid is **NOT** recommended for racing or performance driving.

•Clutch pedal position adjustment is made by turning the pushrod in and out of the clevis. The hard stop bolt can be adjusted to limit the clutch pedal travel, if desired, and locked in place with the nut.

•Brake pedal position is adjusted via the pushrods in the balance bar clevises. Refer to our data sheet DS-252 (available at www.wilwood.com/PDF/DataSheets/ds252.pdf) for proper balance bar adjustment procedure.

•If after following the instructions, you still have difficulty in assembling your Wilwood pedal assembly, consult your local chassis builder, or retailer where the component was purchased for further assistance.

Brake Testing

WARNING • DO NOT DRIVE ON UNTESTED BRAKES BRAKES MUST BE TESTED AFTER INSTALLATION OR MAINTENANCE MINIMUM TEST PROCEDURE

- Make sure pedal is firm: Hold firm pressure on pedal for several minutes, it should remain in position without sinking. If pedal sinks toward floor, check system for fluid leaks. DO NOT drive vehicle if pedal does not stay firm or can be pushed to the floor with normal pressure.
- At very low speed (2-5 mph) apply brakes hard several times while turning steering from full left to full right, repeat several times. Remove the wheels and check that components are not touching, rubbing, or leaking.
- Carefully examine all brake components, brake lines, and fittings for leaks and interference.
- Make sure there is no interference with wheels or suspension components.
- Drive vehicle at low speed (15-20 mph) making moderate and hard stops. Brakes should feel normal and positive. Again check for leaks and interference.
- Always test vehicle in a safe place where there is no danger to (or from) other people or vehicles.
- Always wear seat belts and make use of all safety equipment.

Pad and Rotor Bedding

BEDDING STEPS FOR NEW PADS AND ROTORS – ALL COMPOUNDS

Once the brake system has been tested and determined safe to operate the vehicle, follow these steps for the bedding of all new pad materials and rotors. These procedures should only be performed on a race track, or other safe location where you can safely and legally obtain speeds up to 65 MPH, while also being able to rapidly decelerate.

- Begin with a series of light decelerations to gradually build some heat in the brakes. Use an on-and-off the pedal technique by applying the brakes for 3-5 seconds, and then allow them to fully release for a period roughly twice as long as the deceleration cycle. If you use a 5 count during the deceleration interval, use a 10 count during the release to allow the heat to sink into the pads and rotors.
- After several cycles of light stops to begin warming the brakes, proceed with a series of medium to firm deceleration stops to continue raising the temperature level in the brakes.
- Finish the bedding cycle with a series of 8-10 hard decelerations from 55-65 MPH down to 25 MPH while allowing a proportionate release and heat-sinking interval between each stop. The pads should now be providing positive and consistent response.
- If any amount of brake fade is observed during the bed-in cycle, immediately begin the cool down cycle.
- Drive at a moderate cruising speed, with the least amount of brake contact possible, until most of the heat has dissipated from the brakes. Avoid sitting stopped with the brake pedal depressed to hold the car in place during this time. Park the vehicle and allow the brakes to cool to ambient air temperature.

COMPETITION VEHICLES

- If your race car is equipped with brake cooling ducts, blocking them will allow the pads and rotors to warm up quicker and speed up the bedding process.
- Temperature indicating paint on the rotor and pad edges can provide valuable data regarding observed temperatures during the bedding process and subsequent on-track sessions. This information can be highly beneficial when evaluating pad compounds and cooling efficiencies.

Pad and Rotor Bedding (Continued)

POST-BEDDING INSPECTION – ALL VEHICLES

•After the bedding cycle, the rotors should exhibit a uniformly burnished finish across the entire contact face. Any surface irregularities that appear as smearing or splotching on the rotor faces can be an indication that the brakes were brought up to temperature too quickly during the bedding cycle. If the smear doesn't blend away after the next run-in cycle, or if chatter under braking results, sanding or resurfacing the rotors will be required to restore a uniform surface for pad contact.

PRE-RACE WARM UP

•Always make every effort to get heat into the brakes prior to each event. Use an on-and-off the pedal practice to warm the brakes during the trip to the staging zone, during parade laps before the flag drops, and every other opportunity in an effort to build heat in the pads and rotors. This will help to ensure best consistency, performance, and durability from your brakes.

DYNO BEDDED COMPETITION PADS AND ROTORS

•Getting track time for a proper pad and rotor bedding session can be difficult. Wilwood offers factory dyno-bedded pads and rotors on many of our popular competition pads and **Spec 37** GT series rotors. Dyno-bedded parts are ready to race on their first warm up cycle. This can save valuable time and effort when on-track time is either too valuable or not available at all, Dyno-bedding assures that your pads and rotors have been properly run-in and are ready to go. Contact your dealer or the factory for more information on Wilwood Dyno-Bedding services.

NOTE: NEVER allow the contact surfaces of the pads or rotors to be contaminated with brake fluid. Always use a catch bottle with a hose to prevent fluid spill during all brake bleeding procedures.

Connect with Wilwood

Wilwood Facebook



Wilwood Instagram



Wilwood Twitter



Wilwood YouTube



Associated Components

<u>PART NO.</u>	<u>DESCRIPTION</u>
260-5920	Wilwood Combination Remote Master Cylinder, 13/16" bore
260-6764	Wilwood High Volume Master Cylinder, 3/4" bore
260-10371	Wilwood Compact Remote Master Cylinder, 5/8" bore
260-13706	Wilwood Residual Pressure Valve (2 lb for disc brakes)
260-13707	Wilwood Residual Pressure Valve (10 lb for drum brakes)
260-8419	Wilwood Proportioning Valve, Knob Style
260-8420	Wilwood Proportioning Valve, Lever Style
260-11179	Wilwood Combination Proportioning Valve with Brake Light Switch
290-0632	Wilwood Racing Brake Fluid (Hi-Temp° 570) (12 oz)
290-6209	Wilwood Racing Brake Fluid (EXP 600 Plus) (16.9 oz)
290-16353	Wilwood Racing Brake Fluid (XR Race-Only) (16.9 oz)